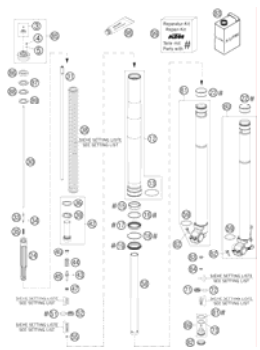
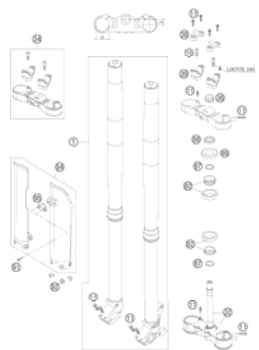
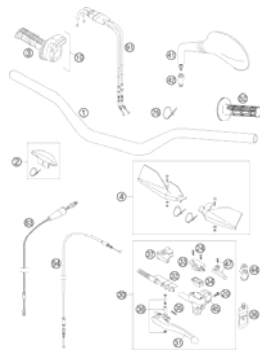

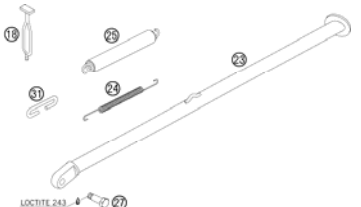
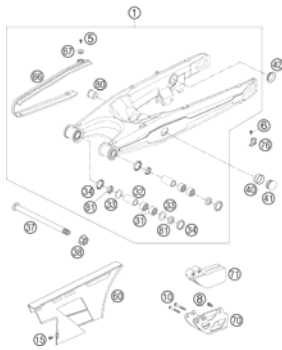
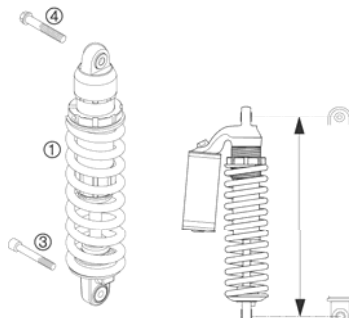
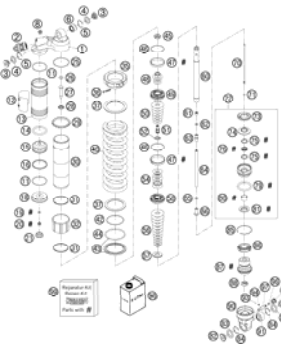
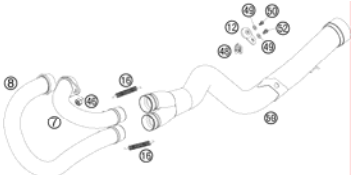
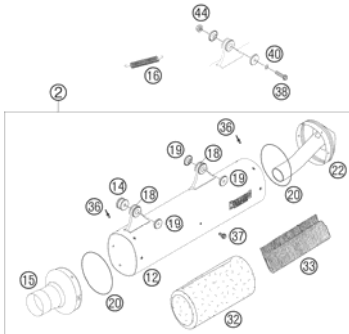
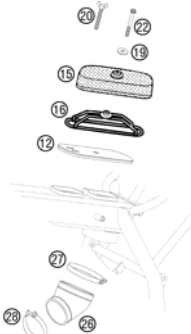
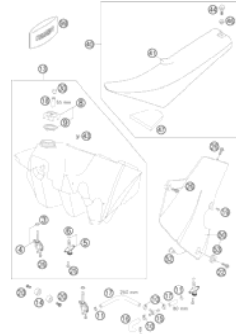
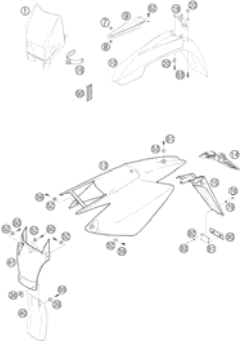
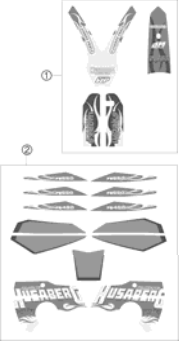
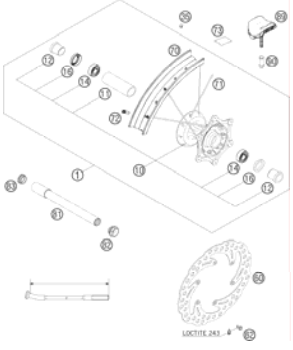
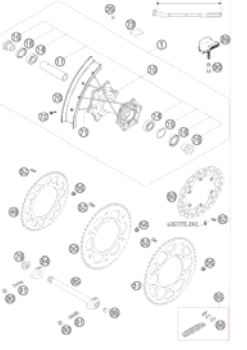

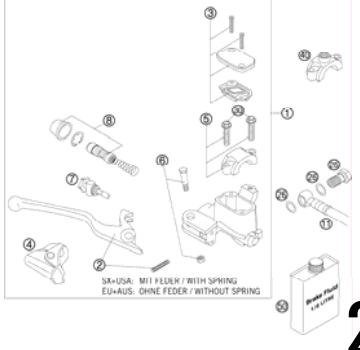
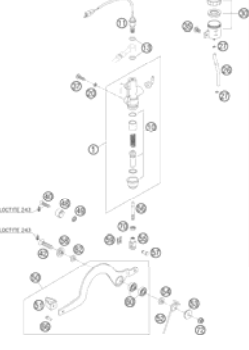
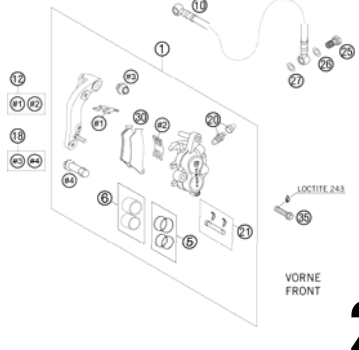
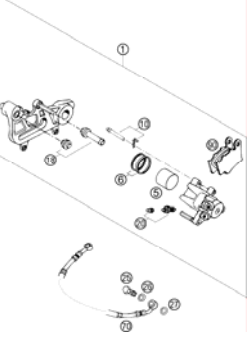
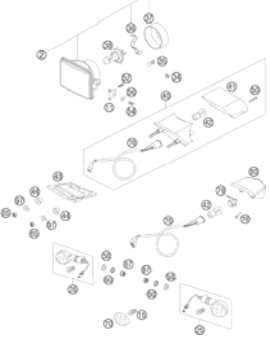
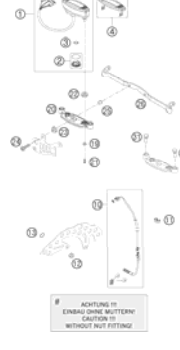




SPARE PARTS MANUAL: CHASSIS

ART.NO.: 3CF2503G3EN

ENGLISH

FRONT FORK DISASSEMBLED  4	FRONT FORK  6	HANDLEBAR, CONTROLS  7	FRAME  8
SIDE STAND  10	SWING ARM  11	MONOSHOCK  12	MONOSHOCK DISASSEMBLED  13
EXHAUST MANIFOLD  16	EXHAUST SILENCER  17	AIR FILTER  18	TANK, SEAT, COVER  19

<p>MASK, FENDERS</p>  <p>20</p>	<p>DECAL</p>  <p>21</p>	<p>FRONT WHEEL</p>  <p>22</p>	<p>REAR WHEEL</p>  <p>23</p>
<p>WIRING HARNESS</p>  <p>24</p>	<p>HAND BRAKE CYLINDER</p>  <p>26</p>	<p>REAR BRAKE CONTROL</p>  <p>27</p>	<p>BRAKE CALIPER FRONT</p>  <p>28</p>
<p>BRAKE CALIPER REAR</p>  <p>29</p>	<p>LIGHTING SYSTEM</p>  <p>30</p>	<p>SPEEDOMETER</p>  <p>31</p>	<p>ACCESSORIES</p>  <p>32</p>

		<p>All information contained is without obligation. KTM-Sportmotorcycle AG particularly reserves the right to modify any equipment, technical specifications, prices, colors, shapes, materials, services, service work, constructions, equipment and the like so as to adapt them to local conditions or to cancel any of the above items, all without previous announcement and without giving reasons. KTM may stop manufacturing certain models without previous notice. KTM shall not be held liable for any deviations of availability and/or ability to deliver, illustrations, descriptions, printing and/or other errors. The illustrated models partly contain extra equipment, which is not applied to standard models. © by KTM-SPORTMOTORCYCLE AG, Mattighofen AUSTRIA; All rights reserved; Reprint, also in extracts, with written allowance of KTM-SPORTMOTORCYCLE AG, Mattighofen only.</p>	

FRONT FORK DISASSEMBLED

FE 650e/6 EU 2007

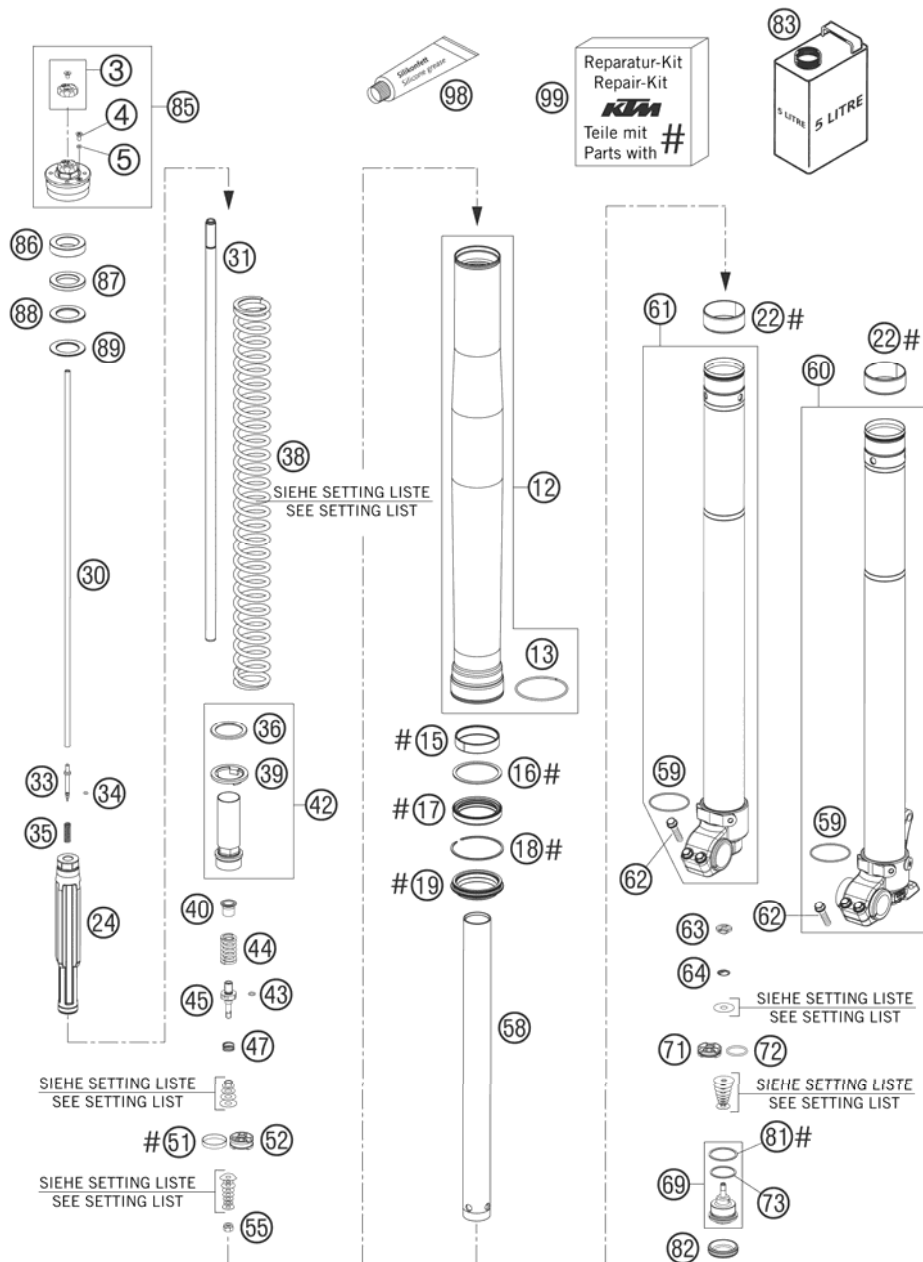


FIG	PART NUMBER	DESCRIPTION	QTY
3*	48600564S	SETTING KNOB + SCREW	2
4*	48600481	VENT SCREW M4X8	2
5*	48600009	O-RING NBR 3,7X1,6	2
12	48600492E	OUTER TUBE L=577 D=54/60	2
13	48600016	GUIDING RING D=58MM	2
15	48600429	DU-BUSH D48XD52X12DDL02	2
16	48600013	SUPPORT RING 50 X 57,6 X 1,5	2
17	48600399	OIL SEAL RING 48X57,8X9,5	2
18	48600070	LOCK WASHER SB58	2
19	48600400	DUST CAP D=48 58,4X11,8	2
22	48600428	DU-BUSH D47XD49X20DDL02	2
24*	48600557S	HYDR.STOP L=200 D=31,9 CPL. 07	2
30*	48600559	ADJUSTING TUBE L=520 07	2
31*	48600568	PISTON ROD D=12 L=554 ALU	2
33*	48600277	ADJUSTER NEEDLE 07	2
34*	48600298	O-RING 2X1,5 NBR	2
35*	48600444	REBOUND SPRING C=4N/MM	2
36	48600113	WASHER 32X42X2,5	2
38	91410014S	SPRING 4,2N/MM SET D=5,0MM	x
38	91410015S	SPRING 4,4N/MM SET D=5,1MM	x
38	91410016S	SPRING 4,6N/MM SET	x
39	48600021	INTERM. RING 26,2 X 43 X 3	2
40*	48600525	GUIDING BUSH REBOUND SPRING	2
42*	48600556S	SCREW SLEEVE M29,3X1 L=90 CPL.	2
43*	48600299	O-RING 6X1,2 NBR	2
44*	48600511	REBOUND SPRING L=32 C=17	2
45*	48600513	TAP REBOUND 07	2
47	35480377	SPRING CHECK VALVE D=0,5	2
51	48600060	PISTON RING 5X1X84	2
52	48600042	PISTON REBOUND D=27,7	2
55	40540486	NUT M6X0,5 REBOUND	2
58	48600081	TUBE 29,3X1X390 D=8,5MM	2
59	48600048	O-RING NBR 46 X 2	2
60*	48600237S1	AXLE CLAMP L/S + TUBE CPL. 07	1
61*	48600238S1	AXLE CLAMP R/S + TUBE CPL. 07	1
62	0015080253	HH COLLAR SCREW M 8X25 WS=10	4

075900151 / C075900153

* NEW PART

X AS REQUIRED

FRONT FORK DISASSEMBLED

FE 650e/6 EU 2007

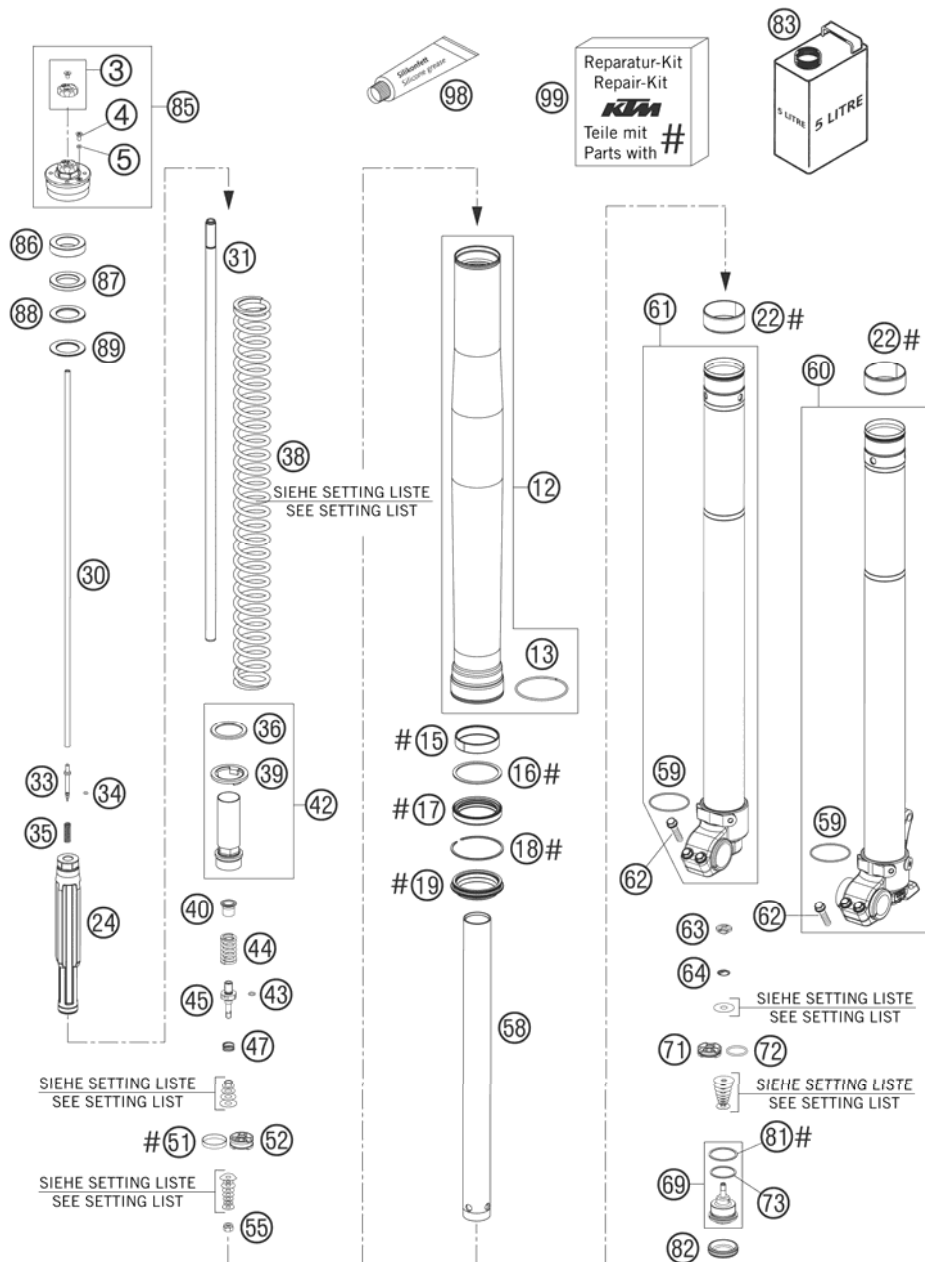


FIG	PART NUMBER	DESCRIPTION	QTY
63	48600163	CHECK VALVE NUT M6X0,5 D=2	2
64	48600202	SPRING CHECK VALVE D=0,7	2
69*	48600586S	TAP COMPRESSION CPL. 07	2
71	48600047	PISTON COMPRESSION D=27,9	2
72	46811499	O-RING NBR 21X2	2
73	35480320	O-RING NBR 24X2	2
81	48600004	COPPER WASHER 29,5X33,5X1	2
82	48600141	RUBBER CAP D=35MM	2
83	48600401S1	FORK OIL SAE 5 2005	1
85*	48600431S1	PRE-LOAD ADJ. M51X1,5 CPL. 07	2
86	48600038	SPACER 42X26,5X10	2
87	48600037	SPACER 42X26,5X5	2
88	48600036	SPACER 42X26,5X2,5	2
89	48600053	SPACER 42X26,5X1,5	2
98	T511	SILICONE GREASE F. DUST STRI	1
99	R14013	REPAIR-KIT GASKET 4860 MXMA 06	1

075900151 / C075900153

* NEW PART

X AS REQUIRED

FRONT FORK

FE 650e/6 EU 2007

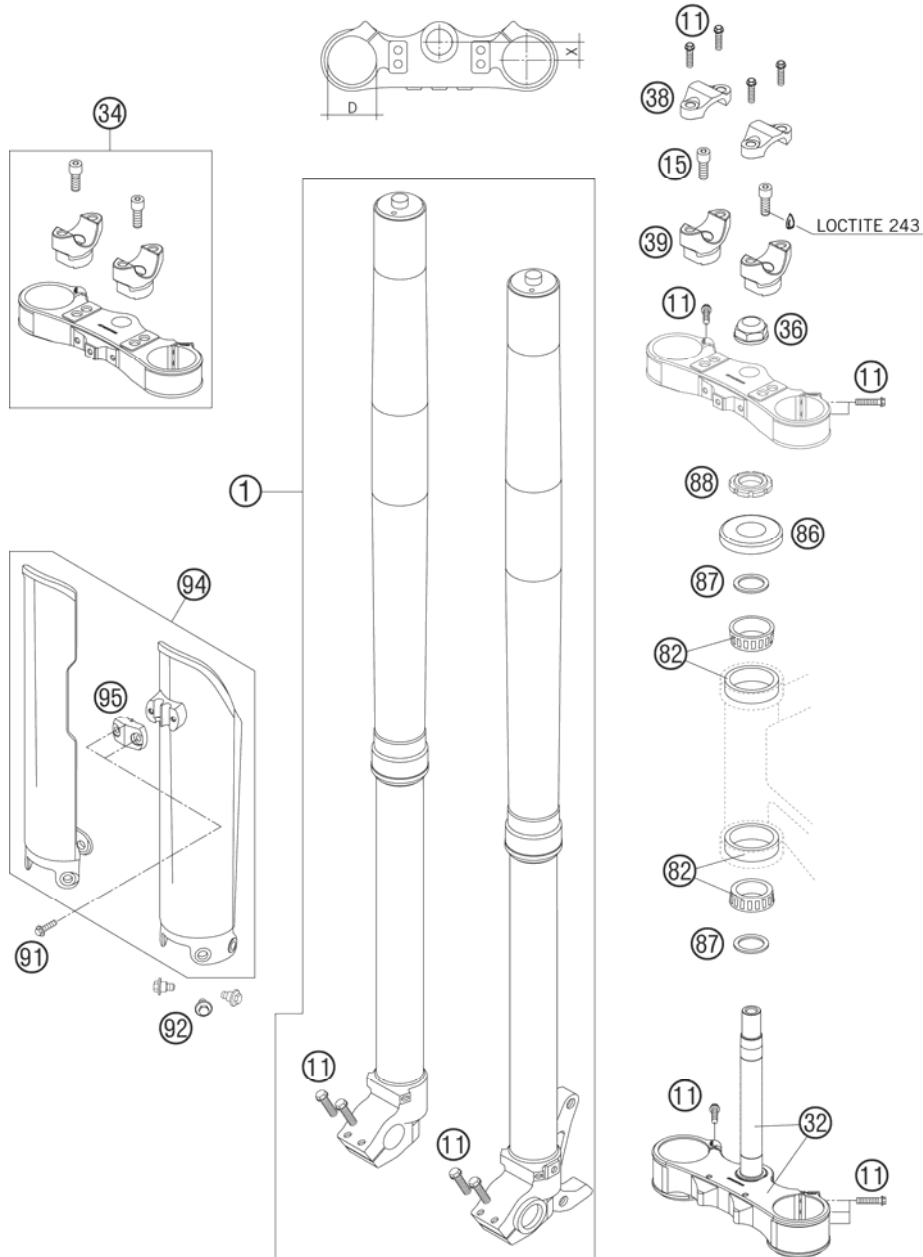


FIG	PART NUMBER	DESCRIPTION	QTY
1*	14457C02	FORK D=48 PA FE 2007	1
11	0015080303	HH COLLAR SCREW M 8X30 WS=10	18
15	0912100356	AH SCREW DIN6912-M10X35 10.9	2
32*	80001032222	BOT.TRIPLE CLAMP 22 OFFSET	1
34*	80001035021	TOP TRIPLE CLAMP 21 OFFSET	1
36	80001036000	COLLAR SCREW M22X1/5H/WS27 ALU	1
38*	59401038000	HANDLEBAR CLAMP 28MM 05	2
39*	59401039037	HANDLEB.SUPP. D=28MM H=37MM 05	2
82	80001080000	TAPERED ROLLER BEARING CPL.	2
86	54201086000	STEERING HEAD COVER	1
87	80001087000	SPACER STEARING HEAD 04	2
88	80001088100	ADJUSTING NUT STEERING HEAD 05	1
91	0017060204	EJOT PT SCREW K60X20 ALU WS=6	2
92	59001092050	SPECIAL SCREW M6X12,5 WS=8	6
94	5900109400030	FORK PROTECT. L/S+R/S BLACK 02	1
95	59001085100	CLAMP F.SPEED.CABLE D=6MM 2001	1

078000100 / C078000100

* NEW PART

X AS REQUIRED

HANDLEBAR, CONTROLS

FE 650e/6 EU 2007

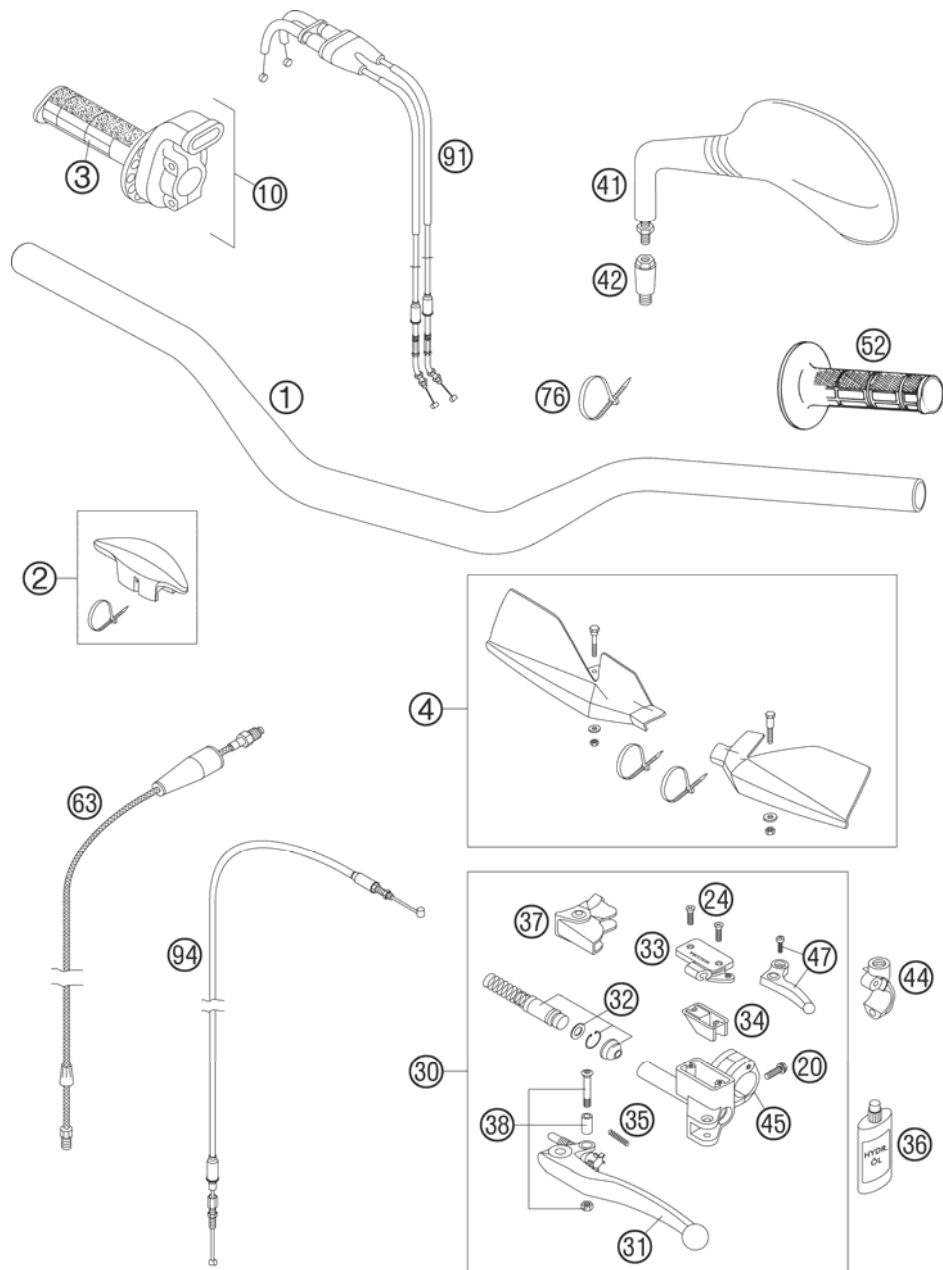


FIG	PART NUMBER	DESCRIPTION	QTY
1	59002001000	HANDLEBAR 28MM HIGH 2000	1
2	59002002000	HANDLEBAR PAD 05	1
3	80002003000	TWIST GRIP COVER DOMINO HUS.05	1
4	5480207900068	HAND GUARD CPL. L/S+R/S BLUE06	1
10	80002010000	THROTTLE GRIP CPL. HUSABERG 05	1
20	0015060203	HH COLLAR SCREW M 6X20 WS=8	1
24	0965040123	FLAT HEAD SCREW DIN0965-M 4X12	2
30	59002030100	MASTER CYLINDER CPL. RACING 03	1
31	54602031000	CLUTCH LEVER SHORT CPL. 2003	x
31	59002031000	CLUTCH LEVER LONG CPL. 2003	1
32	59002032000	REP.KIT PISTON 9,5MM RAC. 2000	1
33	59002033000	COVER HYD.CLUTCH RACING 2000	1
34	50302034000	RUBBER FOR RESERVOIR '98	1
35	59002035000	SPRING FOR CLUTCH LEVER 03	1
36	50302036200	OIL FOR HYD. CLUTCH 75ML	1
37	50302037000	PROTECT.CAP FOR LEVER PERCH'98	1
38	50302038000	LEVER SCREW CPL. 125-200 '98	1
41	58412040000	MIRROR L/S 98	1
41	58412041000	MIRROR R/S 98	1
42	58412040050	SUPPORT FOR MIRROR LC4 '98	2
44	59002044000	CLAMP MIRROR WITH PIN	1
45	50302030150	CLAMP WITH PIN 2000	1
47	59002047000	DECO.LEVER CPL. RACING 2000	1
52	80002052000	FIXED GRIP DOMINO HUSABERG 05	1
63	80032063000	CLUTCH PIPE HUSABERG 2004	1
76	44011076100	CABLE TIE 100/2,5MM BLACK	x
76	44011076200	CABLE TIE 200/3,6MM BLACK	x
91	59002091300	THR.CABLE"OPEN-CLOSE"KEIHIN 02	1
94	59002094000	DECOMPR. CABLE RACING 2000	1

078000200 / C078000200

* NEW PART

X AS REQUIRED

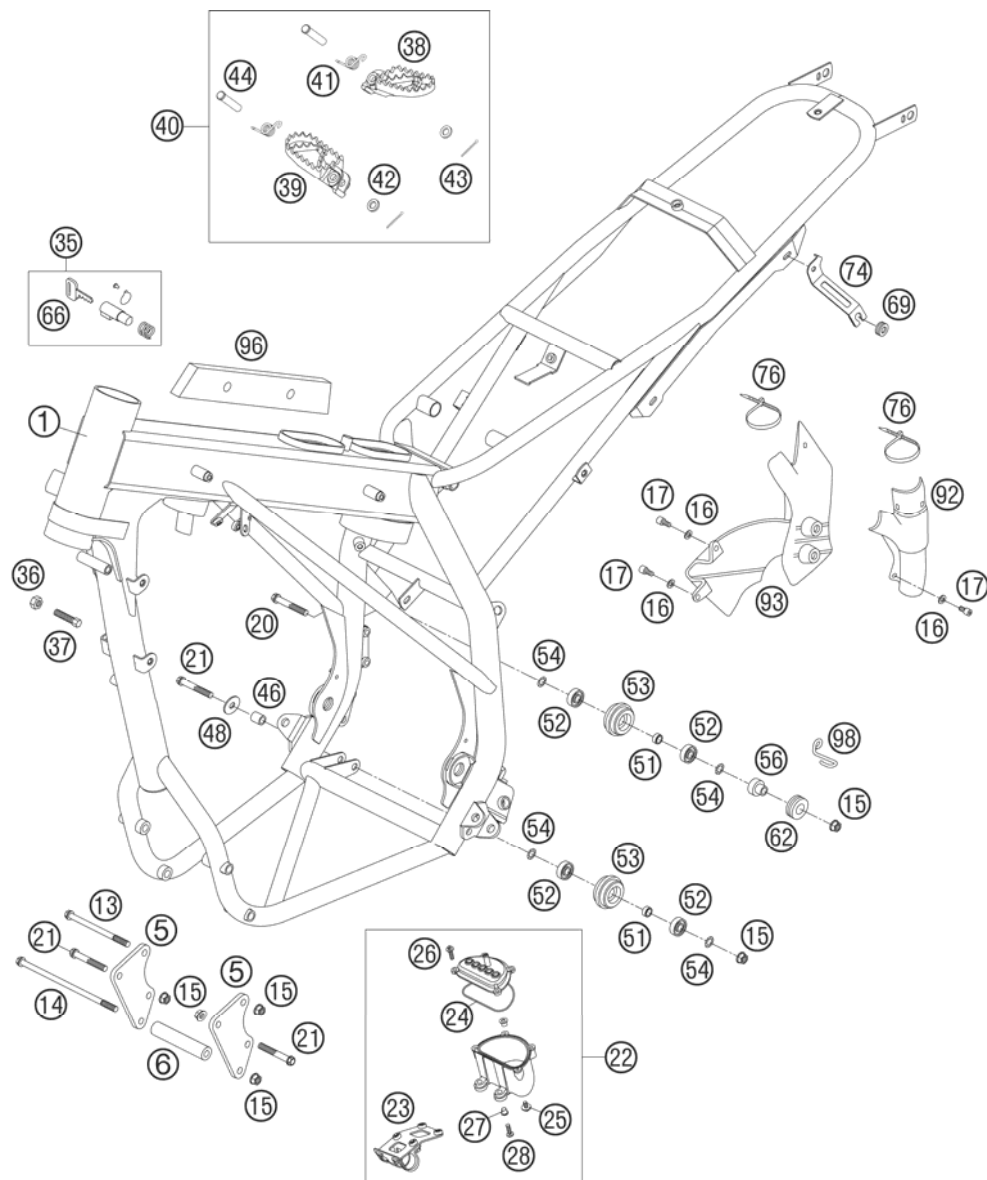


FIG	PART NUMBER	DESCRIPTION	QTY
1	8000300110030	FRAME FE/FS-EU BLACK (HB04)	1
5	80003005000	ENGINE MOUNTING 04	2
6	80003006000	SPACER ENGINE MOUNT. L=87MM 04	1
13	80003013000	ENGINE BRACKET SCREW M8X110 04	2
14	80003014000	ENGINE BRACKET SCREW M8X180 04	1
15	54310086200	SELF LOCKING NUT M8 10.9	7
16	0125050003	WASHER DIN0125-A 5,3	3
17	0912050103	AH SCREW DIN0912-M 5X10	3
20	0015080503	HH COLLAR SCREW M 8X50 WS=10	1
21	0015080503	HH COLLAR SCREW M 8X50 WS=10	3
22	80031096044	INTERCEPTING TANK CPL.	1
23	80031096050	BRACKET F.INTERCEPTING TANK 05	1
24	0770800021	O-RING 80,00X2,00 VITON	1
25	0014060103	HH COLLAR SCREW M 6X10 WS=8	2
26	0017060203	EJOT PT SCREW K6X20 WS=6	4
27	58314060050	SPACER BUSH. F. SPEEDOMET.BRA.	2
28	0014060153	HH COLLAR SCREW M 6X15 WS=8	2
35	80003035000	STEERING HEAD LOCK 04	1
36	0934080003	HEXAGON NUT DIN0934-M 8	2
37	59001037000	SPECIAL SCREW M8X26 WS=10	2
38	59003040250	FOOT PED L/S SILVER 02	1
39	59003041250	FOOT PED R/S SILVER 02	1
40	5030314013390	FOOTREST L.+R. CPL. 03	1
41	54603041000	FOOTREST SPRING L/S & R/S	2
42	0125100003	WASHER DIN0125-A10,5	2
43	0094032253	PIN DIN0094-3,2X25 STEEL	2
44	54803044000	BOLT FOR FOOT PED 03	2
46	80013046100	DISTANCE SPACER 22X8,2X16MM 05	1
48	0021080003	WASHER DIN9021-A 8,4	1
51	74003021000	BUSHING 8.2 X 12 X 6	2
52	0625006087	GROOVED BALL BEAR. 608 2RS C3	4
53	52303053100	CHAIN ROLL D=35MM 125-380 '99	2
54	36003014000	LOCK WASHER 8MM	4
56	80011056100	DISTANCE SPACER 8MM 04	1
62	41001052000	RUBBER SLEEVE D=12MM	1
66	40011166200	KEY BLANK BLACK "T" GRIP	1

078000300 / C078000300

* NEW PART

X AS REQUIRED

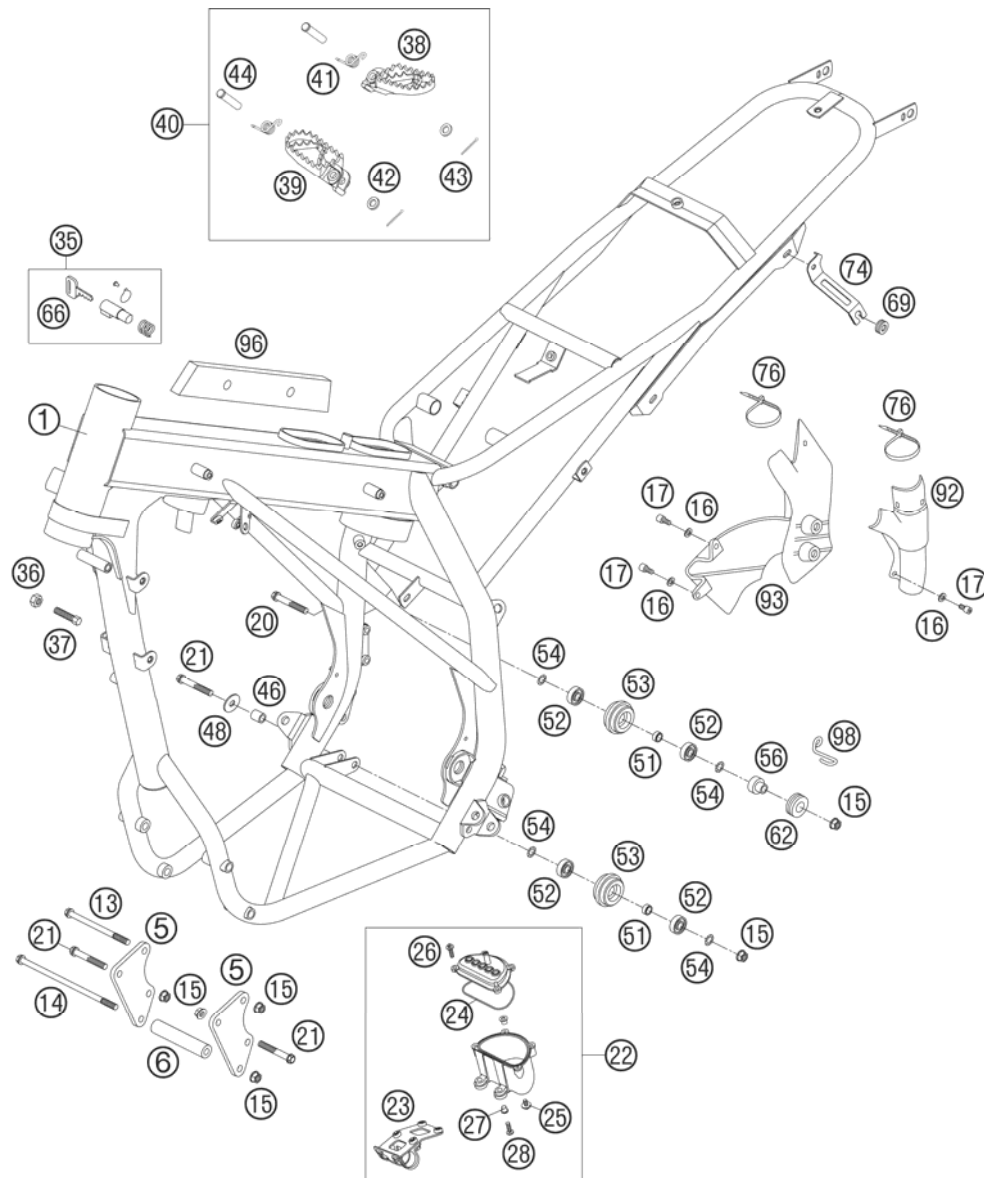


FIG	PART NUMBER	DESCRIPTION	QTY
69	58214069051	RUBBER GROMMET 16X10,8X3 02	1
74	80008014100	BRACKET FOR REAR PART 2005	1
76	44011076200	CABLE TIE 200/3,6MM BLACK	2
92	8000309200030	FRAME PROTECTION L/S BLACK 04	1
93	8000309300030	FRAME PROTECTION R/S BLACK 04	1
96	80006096000	TAB FOR FILTER PROTECTION 04	2
98	80013094000	BRAKE HOSE GUIDE LOWER	1

078000300 / C078000300

* NEW PART

X AS REQUIRED

SIDE STAND

FE 650e/6 EU 2007

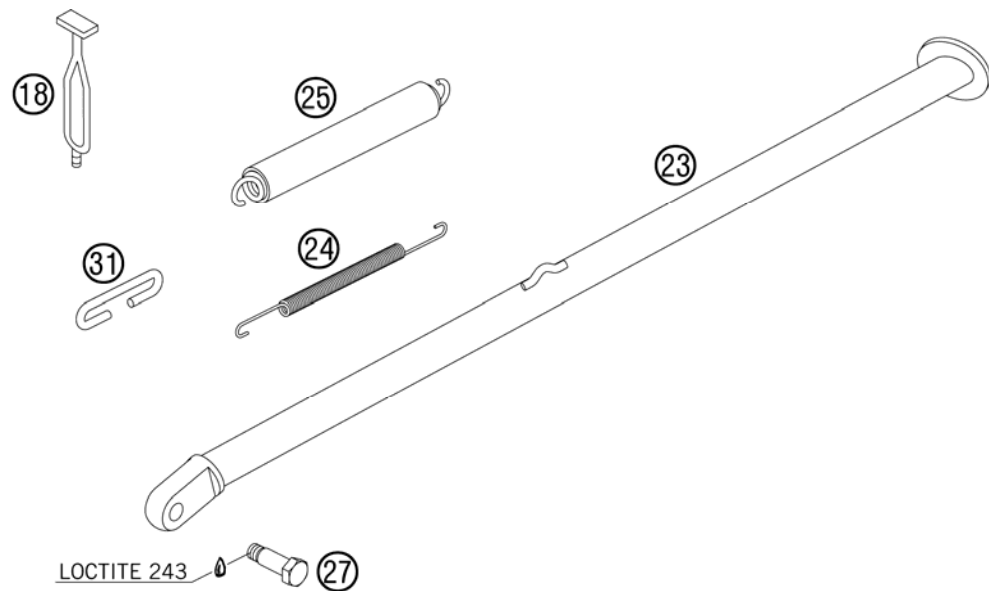


FIG	PART NUMBER	DESCRIPTION	QTY
18	50303018000	RUBBER L=145MM	1
23	8000302310030	SIDE STAND FE LONG 06	1
24	80003024000	INNER SIDE STAND SPRING 04	1
25	80003024100	OUTER SIDE STAND SPRING 04	1
27	80003027000	SPECIAL SCREW M8X28 WS=13 04	1
31	80003031000	SPRING CLIP SIDE STAND 04	1

05800031 / C078000311

* NEW PART

X AS REQUIRED

SWING ARM

FE 650e/6 EU 2007

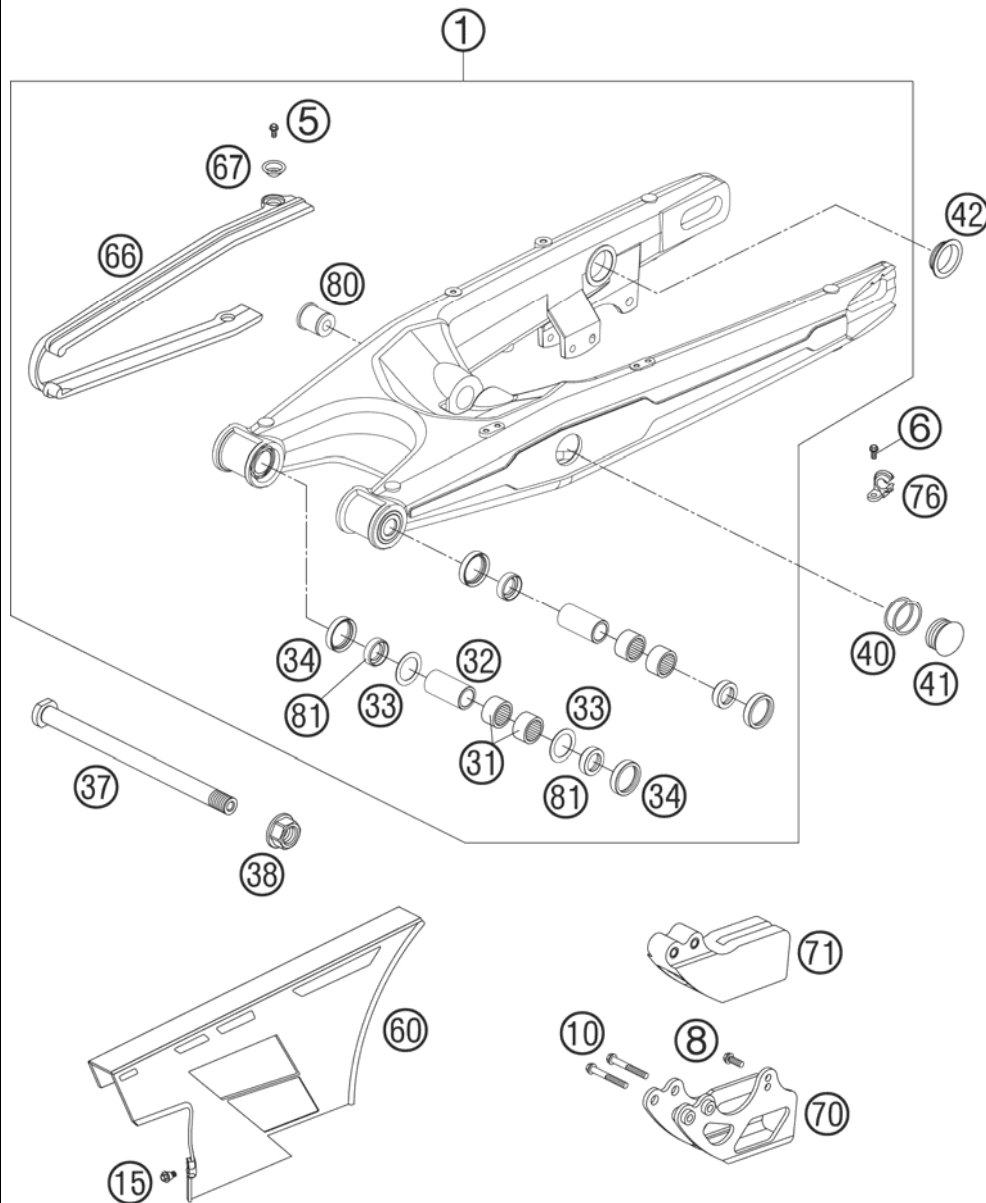


FIG	PART NUMBER	DESCRIPTION	QTY
1	80004030144	SWINGARM CPL. HUSABERG 05	1
5	0015060123	HH COLLAR SCREW M 6X12 WS=8	2
6	0015050123	HH COLLAR SCREW M 5X12 WS=8	2
8	0015060163	HH COLLAR SCREW M 6X16 WS=8	1
10	0015060453	HH COLLAR SCREW M 6X45 WS=8	2
15	59001092050	SPECIAL SCREW M6X12,5 WS=8	3
31	58033097000	NEEDLE BEARING HK 2216	4
32	80004032100	BUSH. SLEEVE SWINGARM BEAR. 05	2
33	54603036000	STOP DISK 22,2X31,7X1	2
34	0760253270	SHAFT SEAL RING 25X32X7	4
37	80004037100	SWINGARM BOLT L=237MM	1
38	54804038000	SELF LOCK.NUT M16X1,5 WS=19 03	1
40	0770253240	O-RING 25,30X2,40 NBR70	4
41	80004041000	CLOSING COVER SWINGARM 04	2
42	58404041100	CLOSING COVER ROUND 03	2
60	80004060100	CHAIN GUARD 05	1
66	80004066000	CHAIN SLIDING GUARD 04	1
67	46104066050	BUSH FOR CHAIN SLIDER GUARD 02	2
70	50207070044	RETAINING PLATE CHAIN GUIDE'94	1
71	54607066100	CHAIN GUIDE REAR '94	1
76	54611076100	RETAIN.CLAMP FOR BRAKE HOSE'96	2
80	80004080100	BUSHING SUPPORT MONOSH. 2005	1
81	80004034000	BUCKET F. SHAFT SEAL RING 04	4

078000400 / C078000400

* NEW PART

X AS REQUIRED

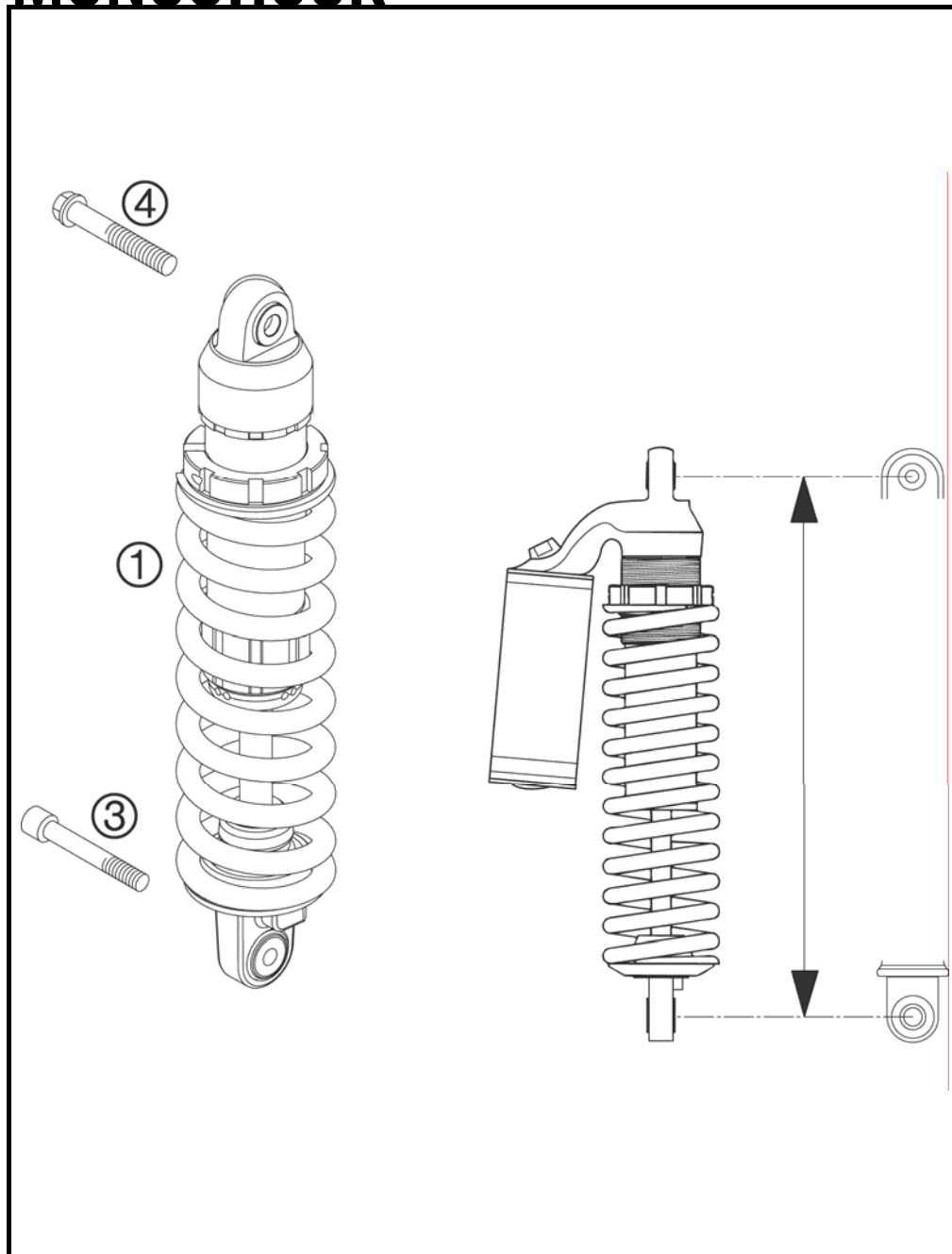


FIG	PART NUMBER	DESCRIPTION	QTY
1*	12457C02	MONOSHOCK HUSABERG FE 2007	1
3	0912100606	AH SCREW DIN0912-M10X60	1
4	0015120556S	HH COLLAR M12X55 WS=13 06	1

078000410 / C078000410

* NEW PART

X AS REQUIRED

MONOSHOCK DISASSEMBLED

FE 650e/6 EU 2007

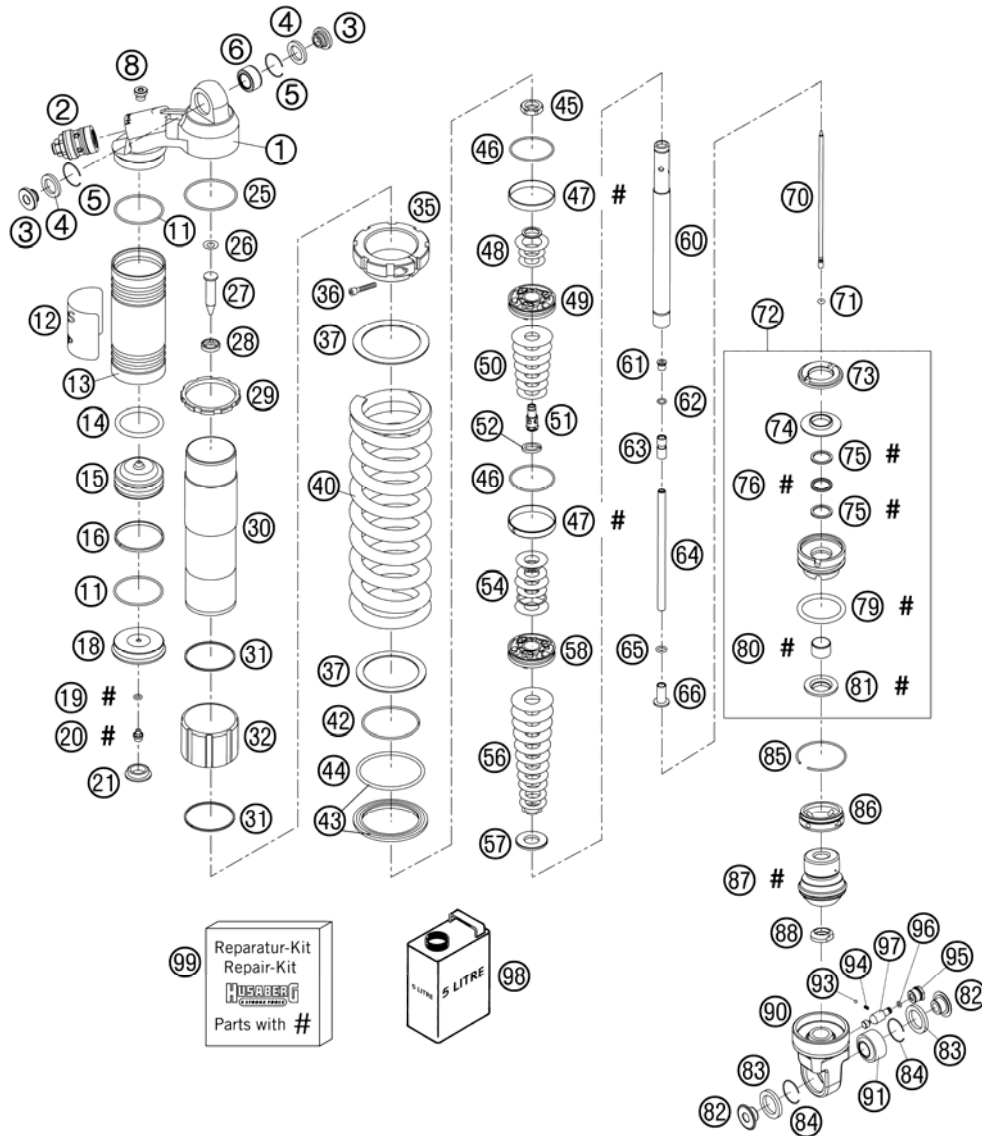


FIG	PART NUMBER	DESCRIPTION	QTY
1	50180357	SHOCK ABS.CASE 30,5 B21 82GR03	1
2	50180213S6	DCC-COMPR.DAMP.CONTROL CPL. 04	1
3	46180061	ADAPTOR-BUSH 12X26	2
4	46180003	OIL SEAL KGW D=25	2
5	50180168	WASHER KGW D=25	2
6	50180005	BUSHING KGW 1525 HD	1
8	50180095	BLEED PLUG R 1/8	1
11	46810340	O-RING NBR 45X2	2
12	52000041	WP CAUTION (PDS KTM) 58X83	1
13	50180096S	RESERVOIR SCREW L140 d46	1
14	46811043	O-RING VITON 35X5	1
15	50180108	SEPARATION PISTON D=46, H=29	1
16	46810324	PISTON RING 3,9X1,5X138	1
18	46811209	RESERVOIR CAP D=46	1
19	46810893	O-RING NBR 5,28X1,78	1
20	36120151	SCREW PLUG M5X6	1
21	46811208	RUBBER CAP "DO NOT OPEN"	1
25	50180097	O-RING 52X2	1
26	50180177	WASHER 16X8,2X0,6	1
27	50180488	NEEDLE D=11,4 D=6, L=57	1
28	50180437	SCREW CAP M20X1 D=11,5 H=5	1
29	50180270	LOCK WASHER	1
30	50180442	TUBE L=195 PDS	1
31	50180133	CIRCLIP 50X1,5	2
32	50180081	SPRING GUIDANCE L=40	1
35	50180433	SPRING RETAINER M56X1	1
36	0912050303	AH SCREW DIN0912-M 5X30	1
37	50180114	INTERM.RING SCREW SPRING RET.	2
40*	91210056S	SPRING 250 80N/MM YELLOW	x
40*	91210057S	SPRING 250 84N/MM YELLOW	x
40*	91210058S	SPRING 250 88N/MM YELLOW	x
42	50180273	CIRCLIP 58,2X2	1
43	50180463S	SPRING RET. D=80 W. O-RING 05	1
44	50180352	O-RING VITON 66,27X3,53	1
45	50180141	PISTON ROD NUT M16X1	1
46	50180099	O-RING VITON 44,17X1,78	2

06800042 / C078000420

* NEW PART

X AS REQUIRED

MONOSHOCK DISASSEMBLED

FE 650e/6 EU 2007

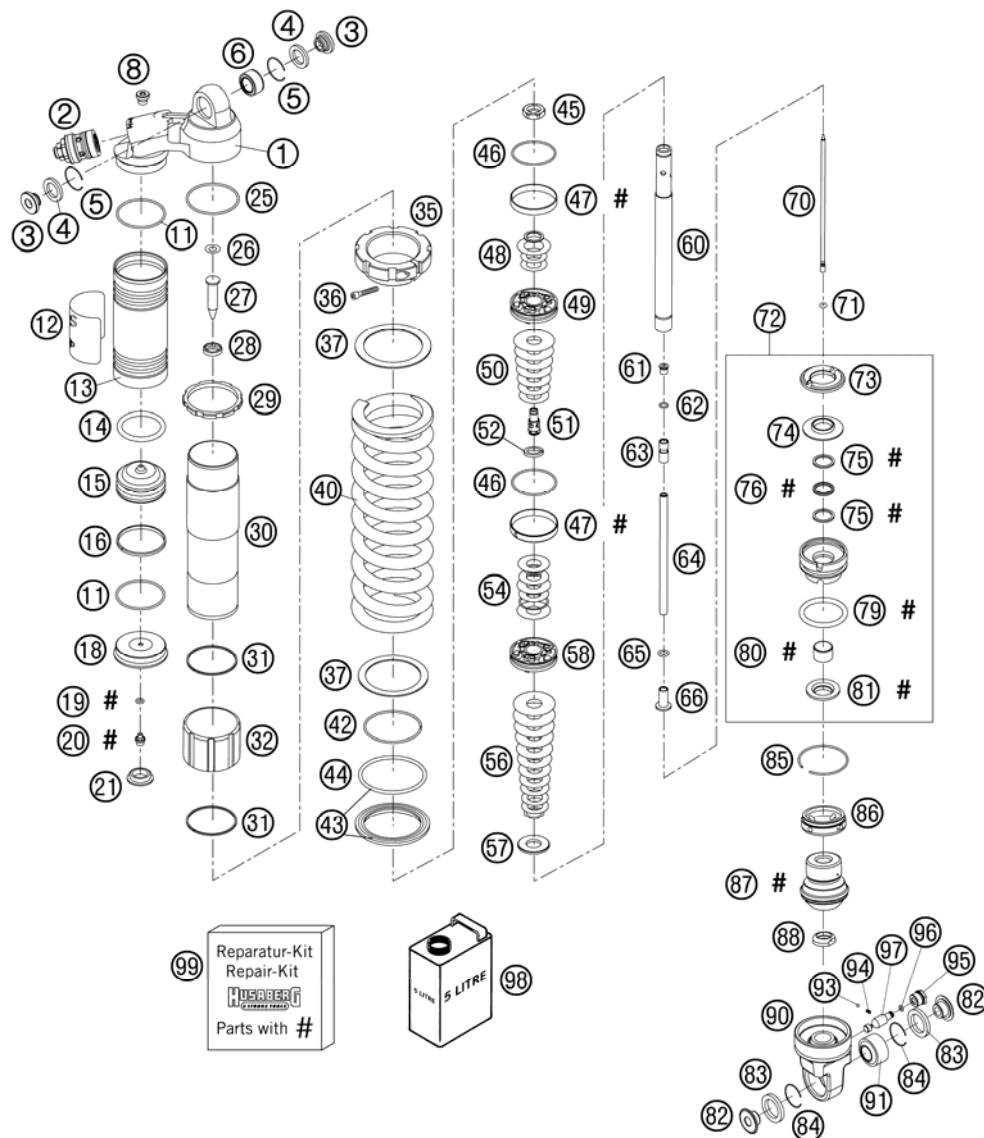


FIG	PART NUMBER	DESCRIPTION	QTY
47	50180135	PISTON RING 50-8	2
48	50180034	BACKPLATE 16X20X0,30	x
48	50180055	SHIM 16X30X0,20	x
48	50180056	SHIM 16X32X0,20	x
48	50180057	SHIM 16X34X0,20	x
48	50180058	SHIM 16X36X0,20	x
48	50180210	WASHER 16X21X1	x
49	50180311	PISTON 6+6X7/4,5 VB 1,0	1
50	50180034	BACKPLATE 16X20X0,30	x
50	50180065	SHIM 16X32X0,25	x
50	50180068	SHIM 16X38X0,25	x
50	50180078	SHIM 16X40X0,30	x
51	50180485	HOLDER D=16 M16X1 L=48	1
52	50180499	BACKPLATE D=23 D=16 H3	1
54	50180034	BACKPLATE 16X20X0,30	x
54	50180045	SHIM 16X28X0,15	x
54	50180054	SHIM 16X28X0,20	x
54	50180056	SHIM 16X32X0,20	x
54	50180057	SHIM 16X34X0,20	x
54	50180067	SHIM 16X36X0,25	x
56	50180054	SHIM 16X28X0,20	x
56	50180055	SHIM 16X30X0,20	x
56	50180056	SHIM 16X32X0,20	x
56	50180057	SHIM 16X34X0,20	x
56	50180058	SHIM 16X36X0,20	x
56	50180060	SHIM 16X40X0,20	x
56	50180061	SHIM 16X42X0,20	x
56	50180068	SHIM 16X38X0,25	x
56	50180071	SHIM 16X44X0,25	x
57	50180233	REBOUND DISC D=34, H=2	1
58	50180446	PISTON 6+6X3,5/4,5	1
60	50180486	PISTON ROD D=18 L=146 M16X1	1
61	50180200	BUSH M8X1	1
62	50180157	O-RING VITON 7X1,5	1
63	50180439	NEEDLE SEAT M8X1 D=5,5 05	1
64	50180489S	TUBE M8X1 L=145,4	1

06800042 / C078000420

* NEW PART

X AS REQUIRED

MONOSHOCK DISASSEMBLED

FE 650e/6 EU 2007

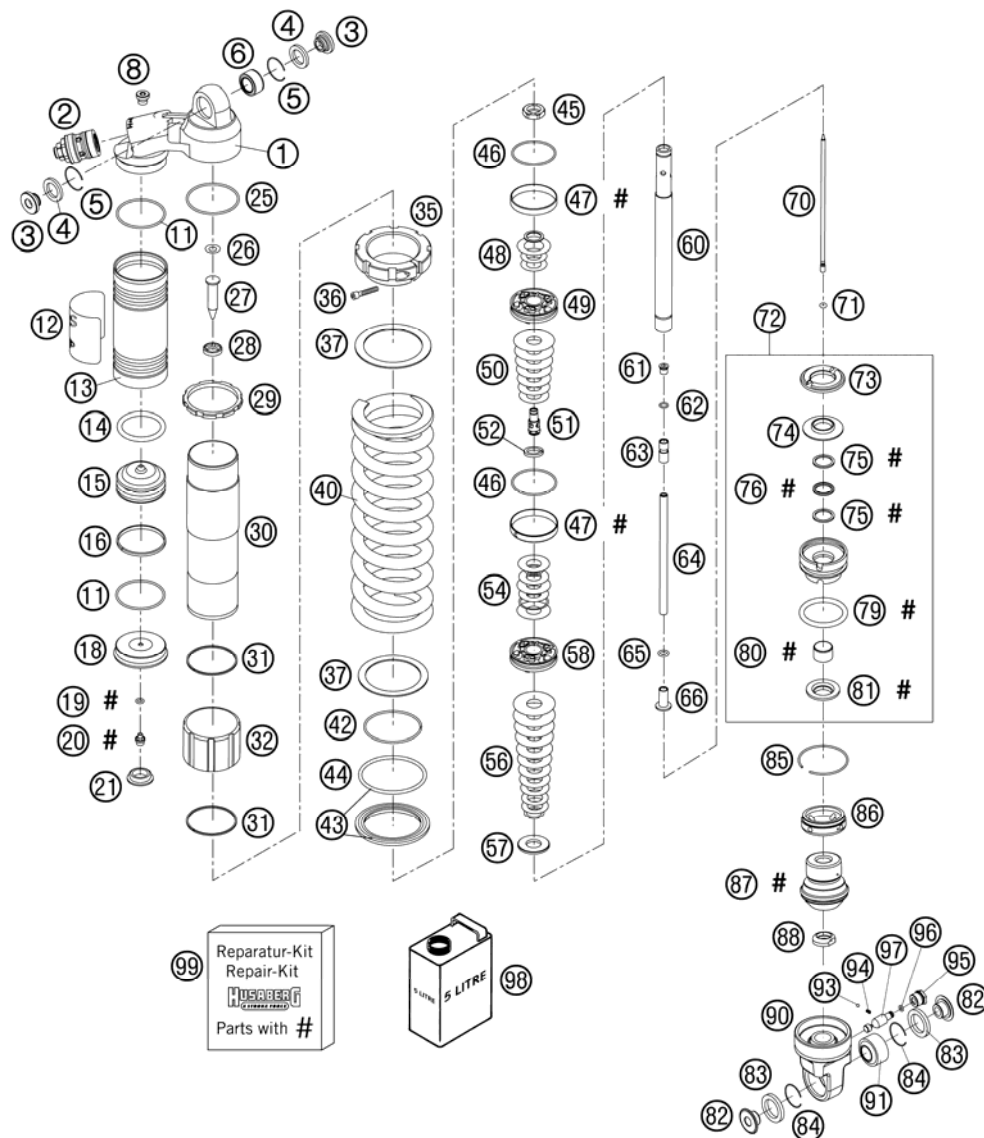


FIG	PART NUMBER	DESCRIPTION	QTY
65	48600049	O-RING NBR 8X2	1
66	50180279	TUBE ADAPTOR M8X1 L=23	1
70	50180490	NEEDLE L=169	1
71	46811265	O-RING VITON 2,2X1,6	1
72	50180435S	ADAPTOR CPL. D=50 H=29	1
73	50180107	REBOUND RUBBER	1
74	50180113	STEEL DISC 18X,5X43,7X6	1
75	50180102	BACKUPRING 22,55X1,5	2
76	50180101	QUAD RING 18X2,62	1
79	50180103	O-RING 41X5	1
80	46180119	DU-BUSH 18X20X12	1
81	50180082	DUST SEAL 1835	1
82	50180153	ADAPTOR-BUSH KGW 32X10X26	2
83	50180159	SHAFT SEAL RING KGW D=32	2
84	50180175	CIRCLIP KGW D=32	2
85	50180126	CIRCLIP 53X1,75	1
86	50180487	COVER D=50	1
87	50180480	BUMP RUBBER SXS 2005	1
88	50180481	NUT M18X1	1
90	50180497S	SHOCK ABS. BOTTOM 54X20X32	1
91	50180179	PIVOT BEARING KGW 1632	1
93	40540603	STEEL BALL D=3MM	1
94	48600028	SPRING D=2,9 L=7,9	1
95	50180281	RESERVOIR CAP M14X1	1
96	50180222	O-RING NBR 4X1,5	1
97	50180434	ADJUSTING SCREW 80 DEG. L=39	1
98	50180466S1	SHOCK ABSORBER FLUID 5 LT 05	1
99	R12011	REPAIR KIT GASKET 5018 PDS 06	1

06800042 / C078000420

* NEW PART

X AS REQUIRED

EXHAUST MANIFOLD

FE 650e/6 EU 2007

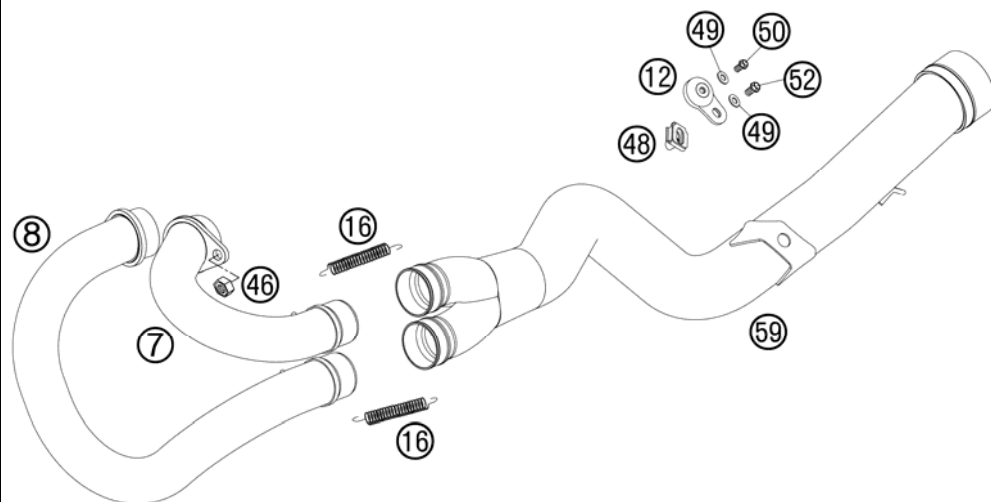


FIG	PART NUMBER	DESCRIPTION	QTY
7	82005007100	EXH. COLLECTOR L/S 650 CPL. 05	1
8	82005008100	EXH. COLLECTOR R/S 650 CPL. 05	1
12	50305012000	SWINGELEMENT FOR EXHAUST PIPE	1
16	50305016000	TEN.SPRING L=62MM EY.MOVEABLE	2
46	51010086000	SELF LOCKING NUT M 6 COPPER	2
48	50235033200	SNAP-NUT HOLDER M6 KP 134	1
49	0125060003	WASHER DIN0125-A 6,4	2
50	0015060163	HH COLLAR SCREW M 6X16 WS=8	1
52	0015060123	HH COLLAR SCREW M 6X12 WS=8	1
59	80005059000	EXH.INT. TUBE CPL. HUSABERG 05	1

05800050 / C078000502

* NEW PART

X AS REQUIRED

EXHAUST SILENCER

FE 650e/6 EU 2007

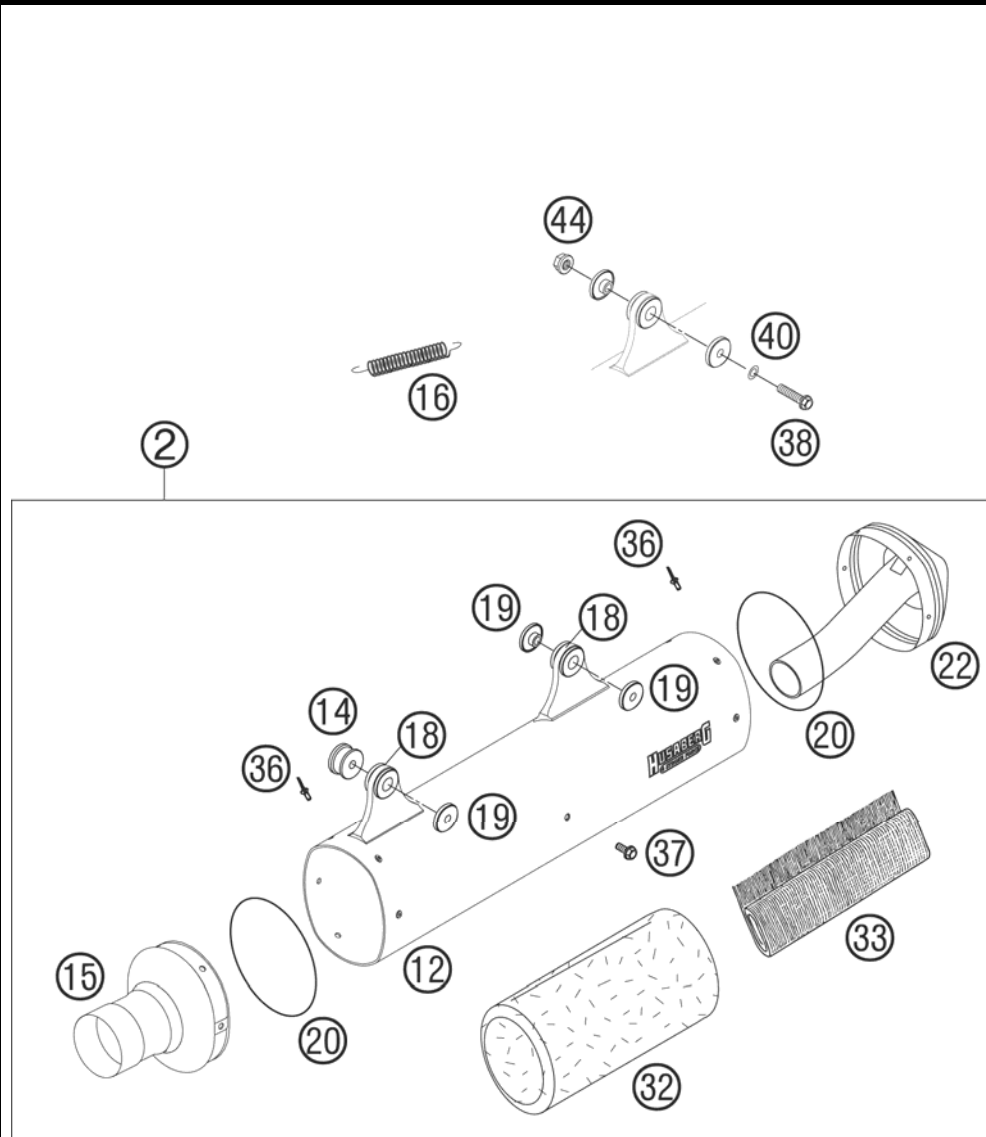


FIG	PART NUMBER	DESCRIPTION	QTY
2	80005079400	SILENCER FE CPL. THROTT. 05	1
12	80005079250	SILENCER HOUSING FE 05	1
14	59405269000	BUSHING SIL.-SMR FRONT 2004	x
15	80005079109	SIL. CONNECT. CAP FC CPL. 05	1
16	50305016000	TEN.SPRING L=62MM EY.MOVEABLE	1
18	54605068000	EXHAUST BRACKET RUBBER BLACK	x
19	54605069000	BUSHING 7,5X12X28X7,8 '96	x
20	0770740015	O-RING 74,00X1,50 FKM 75SH	2
22	80005079206	SIL. END CAP FE CPL. 05	x
22	80005079406	SIL. END CAP FE CPL. THROTT.05	1
32	58705078350	STUFFINGYARN 350 GRAMM '99	1
33	59005078076	STUFFING YARN 560X340X76G 04	1
36	0011480800	DUMMY RIVET 4,8X 8 NIRO	12
37	0009050103	SPECIAL SCREW M 5,0X10	2
38	0015060253	HH COLLAR SCREW M 6X25 WS=8	2
40	0137060003	SPRING WASHER DIN0137-B 6	2
44	56509064100	SELF LOCKING NUT M6 10.9	2

078000511 / C078000511

* NEW PART

X AS REQUIRED

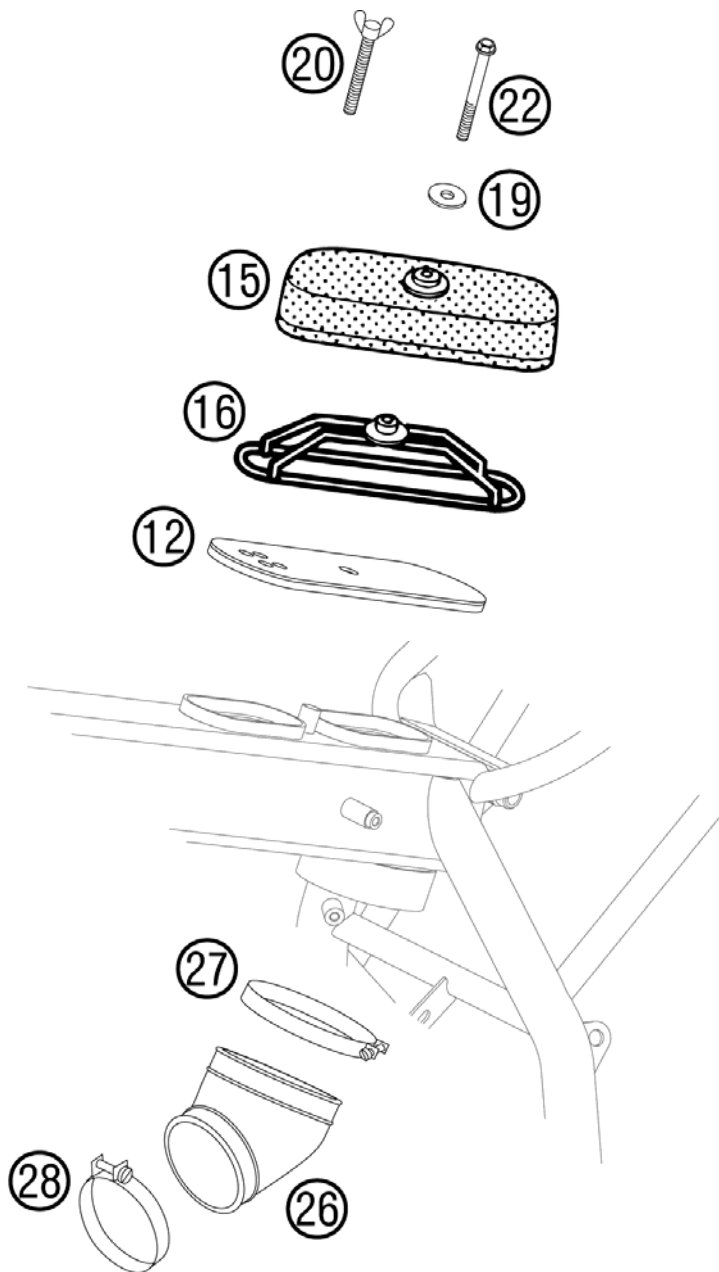


FIG	PART NUMBER	DESCRIPTION	QTY
12	80006012000	INTAKE THROTTLE FE+FS (EU+AUS)	1
15	80006015000	AIR FILTER	1
16	80006016000	AIR FILTER CARRIER	1
19	0021060003	WASHER DIN9021-A 6,4	1
20	0316060503	THUMB SCREW M6X50	1
22	0015060603	HH COLLAR SCREW M 6X60 WS=8	1
26	80006026000	CARB. CONNECT. BOOT 550/650 04	1
26	80006026100	CARB. CONNECT. BOOT 450/501 04	1
27	58506027000	HOSE CLAMP 70-90MM	1
28	51006027000	HOSE CLAMP 50-70MM	1

05800060 / C078000600

* NEW PART

X AS REQUIRED

TANK, SEAT, COVER

FE 650e/6 EU 2007

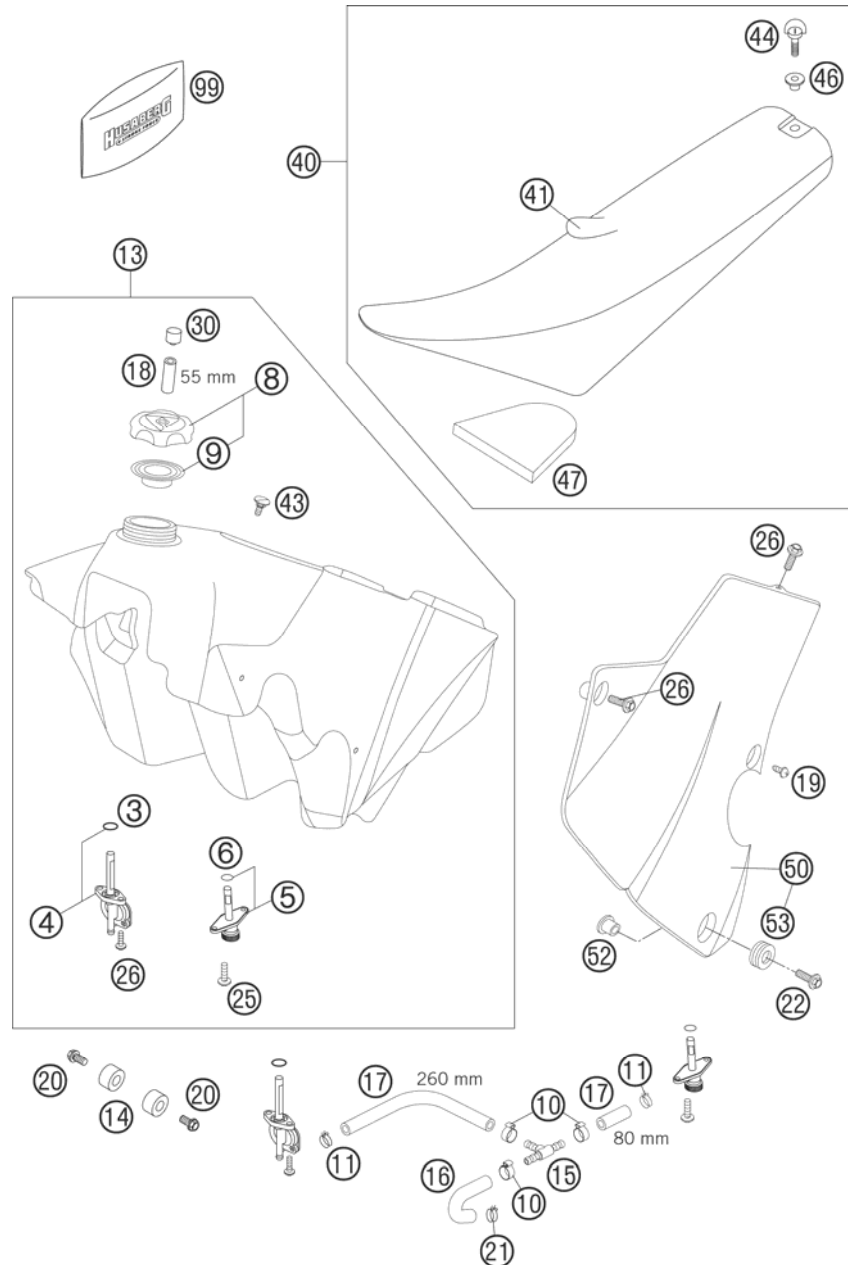


FIG	PART NUMBER	DESCRIPTION	QTY
3	0770130023	O-RING 13,00X2,30	x
4	50307005000	GAS COCK MIKUNI ON/OFF 2001	1
5	58507003000	FUEL COCK CPL. SMALL RALLYE'96	1
6	55007006200	O-RING 11X1,8 NBR 70	2
8	59007008044	FILLER CAP CPL. WITH VALVE	1
9	59007009000	GASKET FOR FILLER CAP HIGH	1
10	00050140706	VARIABLE ONE-EAR CLAMP 14,0MM	3
11	58031005000	CLAMP YDNAC 10128 12MM	3
13	8000711300080	FUEL TANK CPL. 9 LIT. YELLOW	1
14	50307014000	TANK ROLLER 12X26X12 '98	4
15	58007015000	T-CONNECTOR FOR FUEL LINE	1
16	60007016000	FUEL PREFORMED HOSE 03	1
17	54435024001	HOSE ID 7,5 PER METER	x
18	58307016001	FUEL HOSE VITON 6X1,5 PER/M	x
19	0081500181	SCREW FOR PLASTIC D=5X18	2
20	0015060123	HH COLLAR SCREW M 6X12 WS=8	4
21	58431082200	CLAMP YDNAC 13,7MM 2000	1
22	0014060203	HH COLLAR SCREW M 6X20 WS=8	2
25	0017060203	EJOT PT SCREW K60X20 WS=6	x
26	0017060204	EJOT PT SCREW K60X20 ALU WS=6	x
30	80007030000	NIPPLE FOR VENTILATION HOSE 04	1
40	80007040300	SEAT CPL. HUSABERG 2006	1
41	80007040350	SEAT COVER 06	1
43	50307011000	SCREW SEAT FASTENING D=6X23/18	1
44	80007044000	SCREW PLUG FOR SEAT 04	1
46	80007046000	BUSHING FOR SEAT 04	1
47	80007047000	DIRT-FILTER SEAT 04	1
50*	8000815010080	SPOILER LEFT YELLOW 2007	1
50*	8000815110080	SPOILER RIGHT YELLOW 2007	1
52	80008052000	COLLAR BUSHING 6,2X10X15X2 04	2
53	80008053000	RUBBER GROMMET FOR SPOILER 04	2
99	80029099000	TOOL SET HUSABERG 04	1

078000700 / C078000700

* NEW PART

X AS REQUIRED

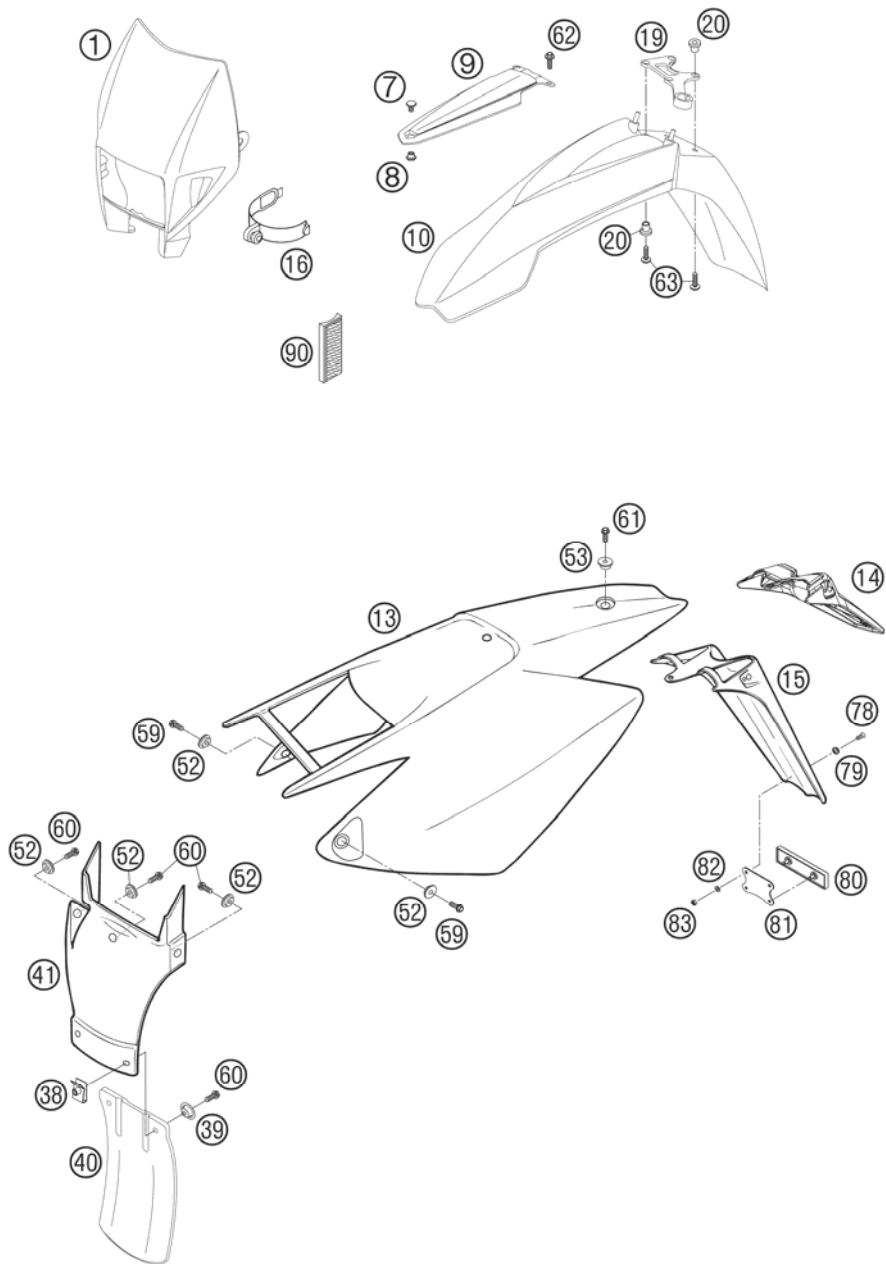


FIG	PART NUMBER	DESCRIPTION	QTY
1	5030800100068	HEAD LIGHT MASK BLUE 06	1
7	50308009050	SCREW FEND.BRACE M8X9 WS=17	1
8	50308009051	NUT FENDER BRACE M8 WS=17	1
9	50308009100	FENDER BRACE BLACK '99	1
10	8000801000068	FENDER FRONT WIDE BLUE 06	1
13*	8000801300068	REAR PART BLUE 04	1
14	80008015200	NUMBER PLATE CARRIER SHORT	x
15	80008015000	NUMBER PLATE CARRIER SHORT 04	1
16	50211086000	MASK RUBBER UFO WP '95	2
19	59008019000	BRAKE HOSE GUIDE 2000	1
20	58408009050	SPACER BUSHING FRONT FENDER	4
38	54603048100	RANGE CHANGE METAL NUT M6	2
39	72210079000	BUCKET	2
40	54606010000	SPLASH PROTECT.FOR FILTER BOX	1
41	80006011000	SPLASH PROTECTION TOP-PART 04	1
52	50308052000	BUSH FOR SPOILER 6X11X16X5 MM	5
53	50308053000	BUSH FOR SPOILER 6X11X16X7,5	1
59	0015060123	HH COLLAR SCREW M 6X12 WS=8	2
60	0015060163	HH COLLAR SCREW M 6X16 WS=8	5
61	0015060163	HH COLLAR SCREW M 6X16 WS=8	1
62	0014060153	HH COLLAR SCREW M 6X15 WS=8	2
63	0014060203	HH COLLAR SCREW M 6X20 WS=8	4
78	0966050163	OVAL HEAD SCREW DIN0966-M 5X16	2
79	40006006000	WASHER 6MM	2
80	58412080000	REFLECTOR RED LC4 '98	1
81	58412080050	BRACKET FOR REFLECTOR	1
82	0125050003	WASHER DIN0125-A 5,3	2
83	0985050003	SELF LOCKING NUT DIN0985-M 5	2
90	58412080100	REFLECTOR YELLOW '99	2

078000800 / C078000800

* NEW PART

X AS REQUIRED

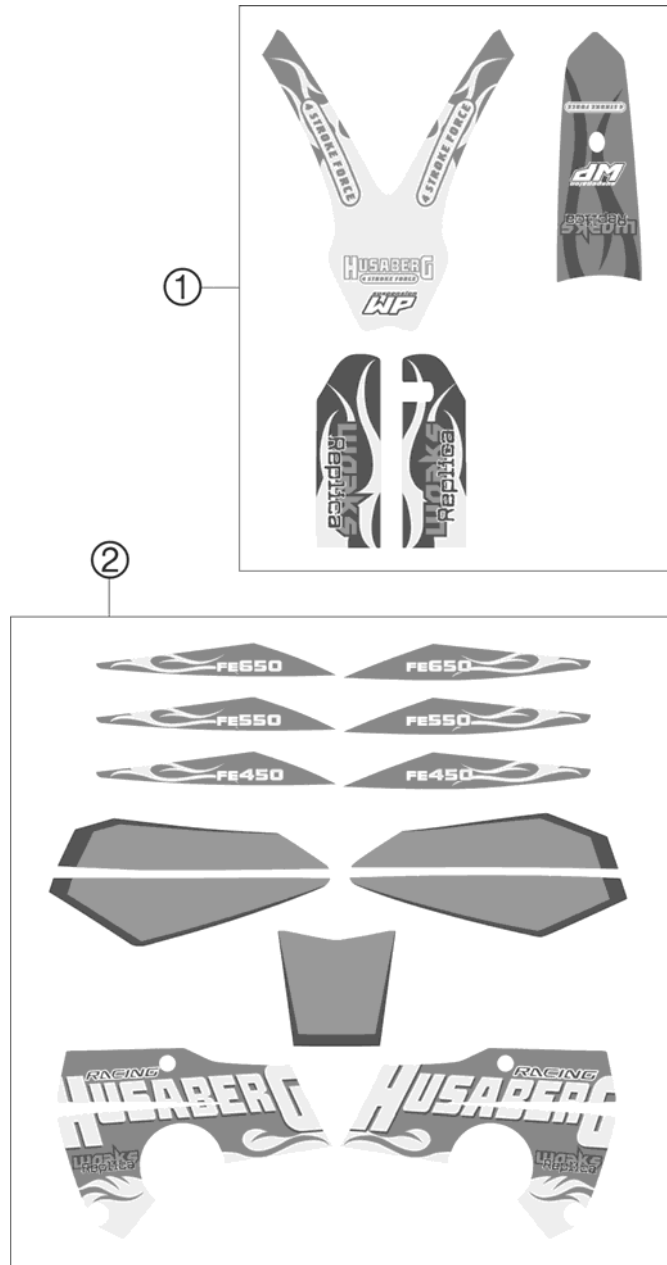


FIG	PART NUMBER	DESCRIPTION	QTY
1	80008099400	DECAL SET FENDERS FE 2007	1
2	80008099500	DECAL SET FE 2007	1

078000810 / C078000810

* NEW PART

X AS REQUIRED

FRONT WHEEL

FE 650e/6 EU 2007

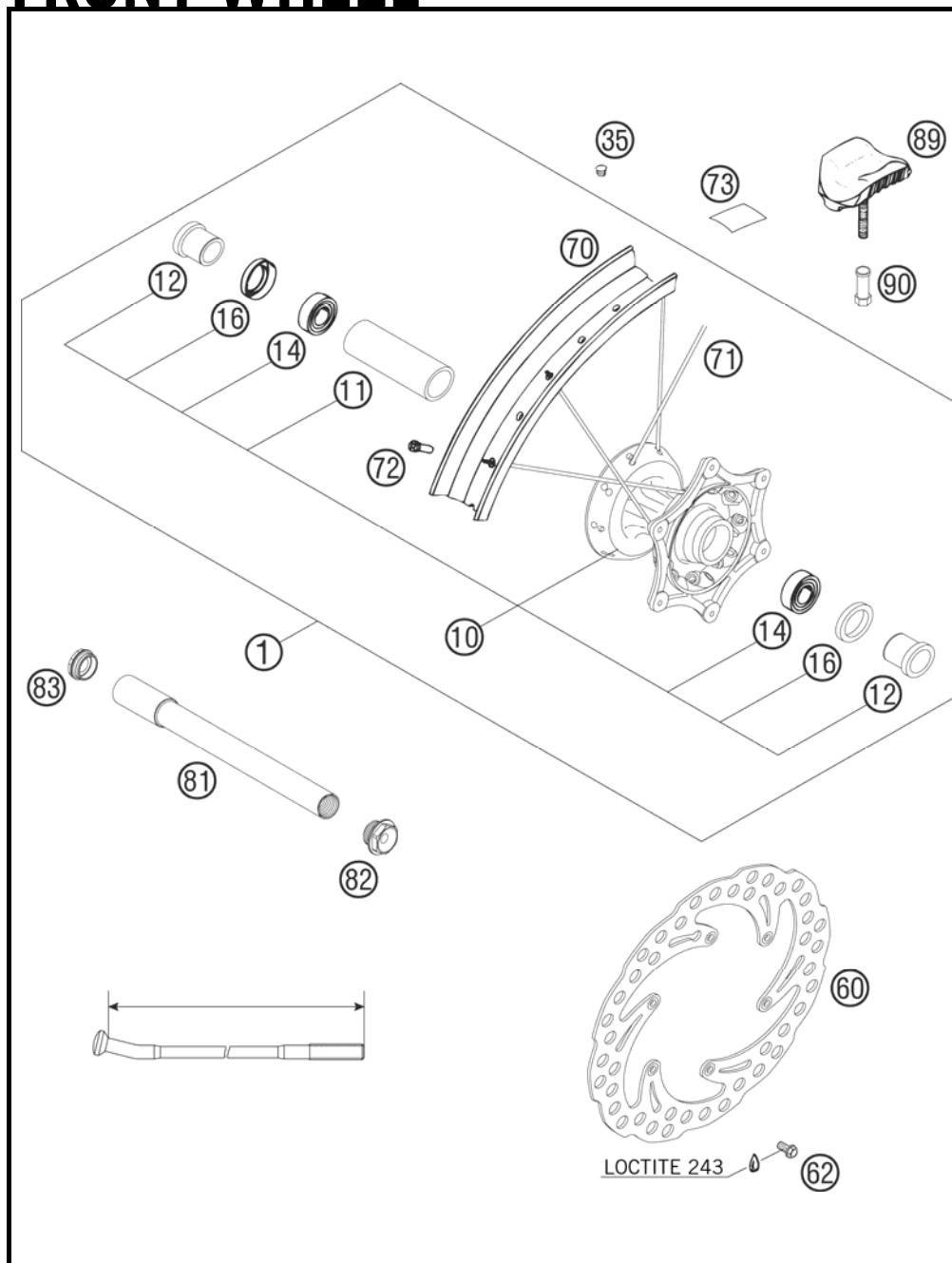


FIG	PART NUMBER	DESCRIPTION	QTY
1	8000900104491	FRONT WHEELCPL.1,6X21"EXCEL 04	1
10	5480901004491	FRONT HUB CPL. SX SILVER 03	1
11	54809011000	BEA.SPACERTUBE 35X2 L=79,4 03	1
12	54809012000	SPACER BUSHING F. FR. WHEEL 03	2
14	0625069068	GR.BALL BEAR.6906 DDU2CG23S6NM	2
16	0760354771	SHAFT SEAL RING 35X47X7 TC	2
35	55003135000	PLUG FOR RIM	x
60	54809060100	BRAKE DISC FRONT D=260MM 03	1
62	59009062013	SPECIAL SCREW M6X13 WS=8 10.9	6
70	54809070000	FRONT RIM 1,6X21" EXCEL AL7	1
71	50309072228	SPOKE M4,5X228-15G 21" DDE	36
72	50309072000	SPOKE NIPPLE M4,5X0,75 8X21	36
73	50309073000	RIM BAND 21"	1
81	54809081000	WHEEL SPIN.FR. D=26 M24X1,5 03	1
82	54809082000	SPINDLE SCREW M24X1,5 WS=27 03	1
83	54809081050	PLUG BUSHING WS=27 03	1
89	51009100100	RIM LOCK VM1 (1,60")	1
90	50310090050	NUT FOR WHEEL HOLDER '96	1

05800090 / C078000900

* NEW PART

X AS REQUIRED

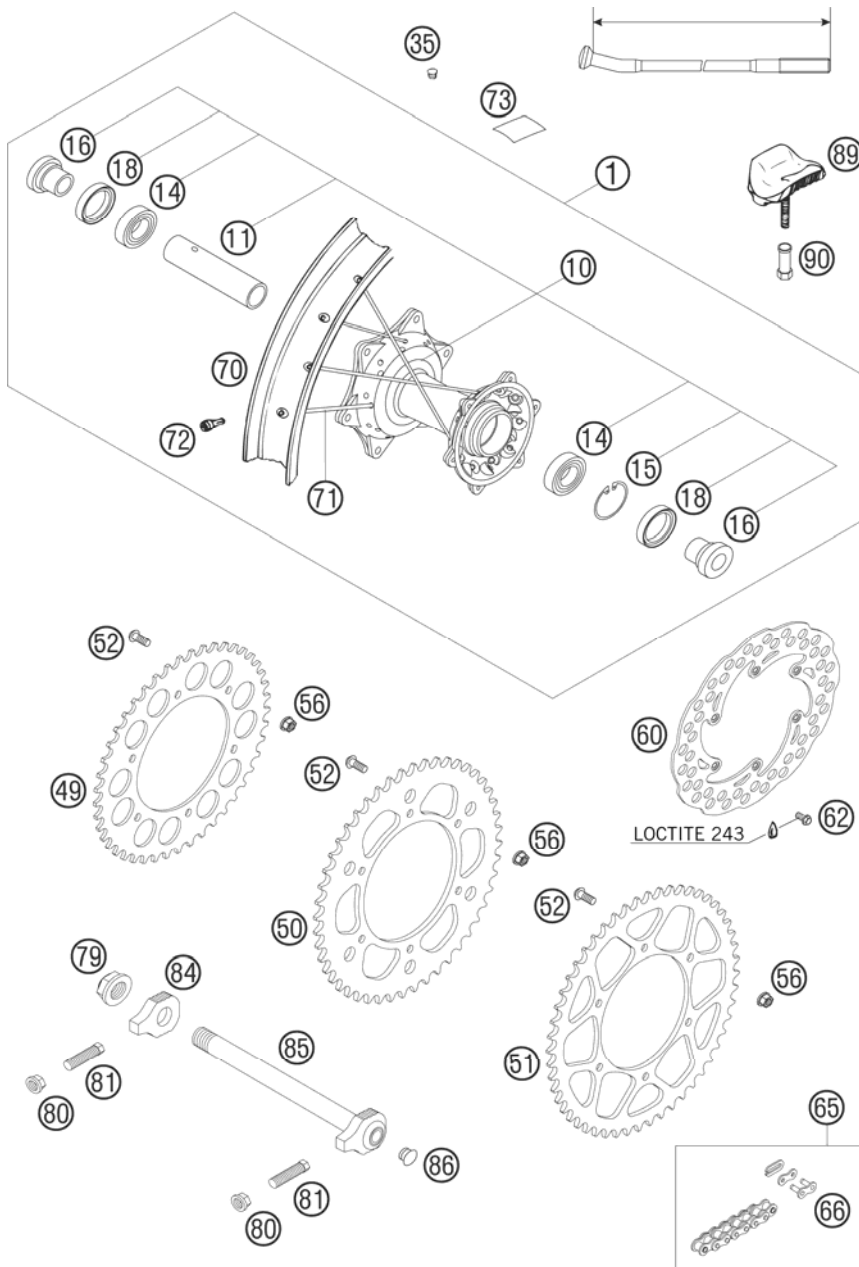


FIG	PART NUMBER	DESCRIPTION	QTY
1	8001000104491	REAR WHEEL CPL. 2,15X18" EXC.	1
10	5481001004491	REAR WHEEL HUB CPL. SX, EXC 03	1
11	59010011000	BUSHING SPACER TUBE 121,5MM 01	1
14	0625060058	GR.BALL BEAR.6005 DDU2CG23S6NM	2
15	0472047175	CIRCLIP DIN0472-47X1,75	1
16	54610016000	BUSHING FOR HUB	2
18	0760324771	SHAFT SEAL RING 32X47X7 BSL	2
35	55003135000	PLUG FOR RIM	x
49	58310051038	REAR SPROCKET 38-T	x
49	58310051042	REAR SPROCKET 42-T	x
49	58310151040	REAR SPROCKET 40-T	x
49	58310151045	REAR SPROCKET 45-T	x
50	58310151048	REAR SPROCKET 48-T	x
50	58310151049	REAR SPROCKET 49-T	x
51	58310151050	REAR SPROCKET 50-T	x
51	58310151051	REAR SPROCKET 51-T	x
51	58310151052	REAR SPROCKET 52-T	x
52	54510052100	SPROCKET SCREW-AH M8X26 WS=6	6
56	54310086200	SELF LOCKING NUT M8 10.9	6
60	80010060000	BRAKE DISC REAR PERFORATED 04	1
62	59009062013	SPECIAL SCREW M6X13 WS=8 10.9	6
65	80010265118	CHAIN 5/8X1/4" + MASTER LINK	1
66	50010066100	MASTER LINK 5/8X1/4" X-RING	1
70	54810070000	REAR RIM 2,15X18" EXCEL AL7	1
71	50310072195	SPOKE M5X195-10G 18" DDE	36
72	58309072000	SPOKE NIPPLE M5-TA (8X21MM)	36
73	50310073200	RIM BAND 18" AND 19"	1
79	50310099000	HEXAGON NUT M20X1,5 '98	1
80	58414030000	HH COLLAR NUT M10X1,25 WS=13	2
81	50304040100	SCREW M10X1,25X50 WS=10	2
84	80010084000	CHAIN TENSIONER R/S 04	1
85	80010085044	WHEEL SPINDEL REAR CPL. 04	1
86	50210086000	COVERING CAP SFL16	1
89	54010100100	RIM LOCK VM3 (2.15")	1
90	50310090050	NUT FOR WHEEL HOLDER '96	1

05800100 / C078001000

* NEW PART

X AS REQUIRED

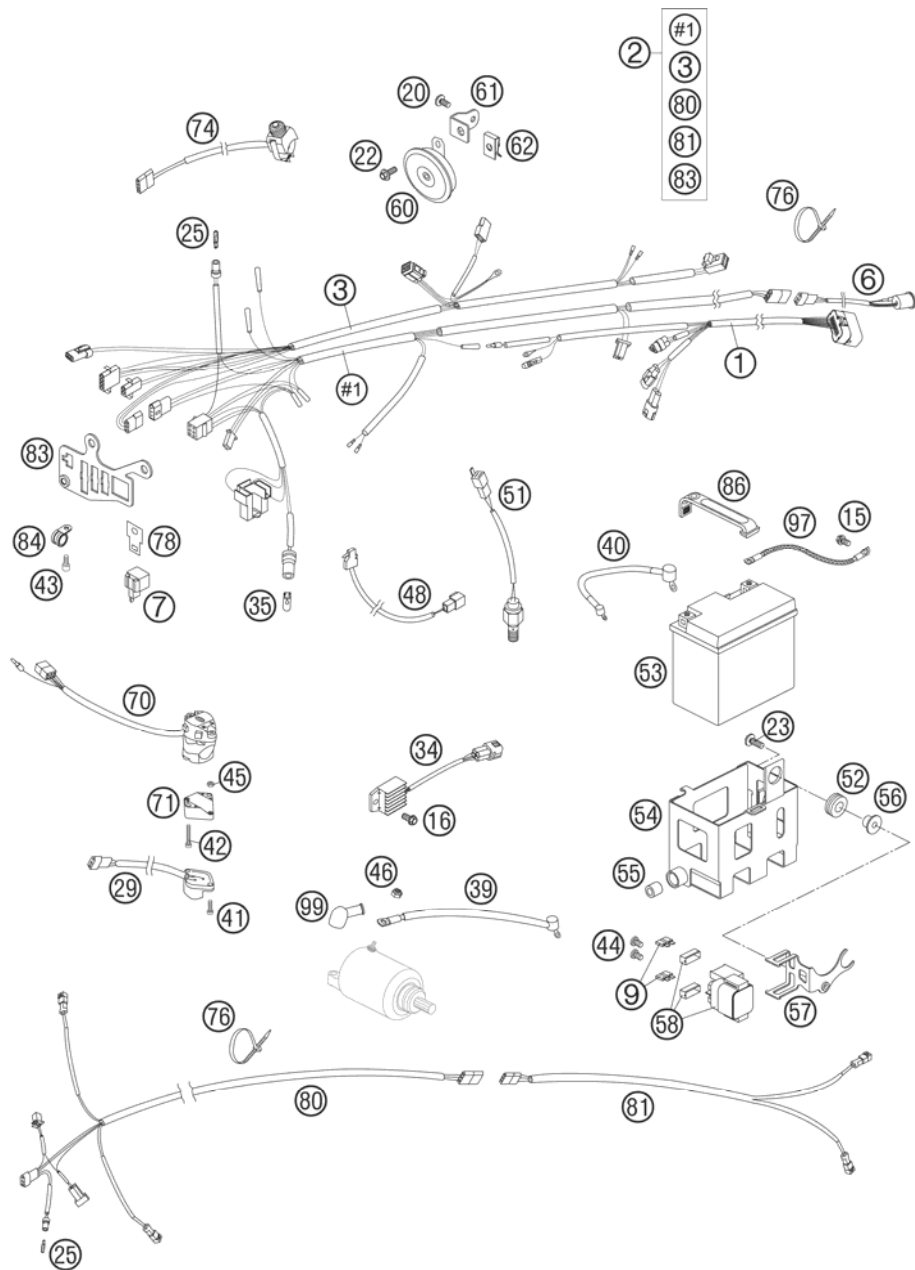


FIG	PART NUMBER	DESCRIPTION	QTY
1	80011075300	IGNITION WIRING HARNESS	04
2	80011075600	MAIN WIRING FE/FS-EU/AUS CPL.	06
3	80011079100	STARTER WIRING HARNESS	05
6	50311076000	WIRING HARNESS REAR 125-380'98	1
7	44611207200	FLASHER UNIT	97
9	58011109110	FUSE 10 A	2000
15	0015060103	HH COLLAR SCREW M 6X10	WS=8
16	0015060123	HH COLLAR SCREW M 6X12	WS=8
20	0014060103	HH COLLAR SCREW M 6X10	WS=8
22	0014060153	HH COLLAR SCREW M 6X15	WS=8
23	0014060203	HH COLLAR SCREW M 6X20	WS=8
25	49111425000	BULB 12V 1,2W (W2X4,6D)	2
29	50311029000	FLASHER SWITCH CEV '98	1
34	80011034000	VOLTAGE REGULATOR	04
35	49011435100	BULB 12V 5W (W2,1X9,5D) PHIL.	1
39	80011059000	STARTER CABLE L=190MM	04
39	80011059100	STARTER CABLE L=165MM	04
40	80011059050	BATTERY CABLE L=155MM	04
41	0985040163	FLAT HEAD SCREW DIN7985-M 4X16	2
42	0084040223	CYL.HEAD SCREW DIN0084-M 4X22A	2
43	0912050083	AH SCREW DIN 912 M 5X8	1
44	0902060083	AH OVAL SCREW ISO 7380 M 6X8	2
45	0934040003	HEXAGON NUT DIN0934-M 4	2
46	0985060003	SELF LOCK. NUT DIN0985-M 6	1
48	50311050100	BRAKE LIGHT SWITCH FRONT	2002
51	50311051100	BRAKE LIGHT SWITCH REAR '98	1
52	41001052000	RUBBER SLEEVE D=12MM	1
53	80011053000	BATTERY 12V/7AH	04
54	80011054000	BATTERY CARRIER	04
55	80011054050	DAMPING RUBBER	04
56	80011056000	DISTANCE SPACER 6MM	04
57	80011058050	BRACKET FOR STARTER RELAY	04
58	58211058000	STARTER RELAY 12V '99	1

078001105 / C078001105

* NEW PART

X AS REQUIRED

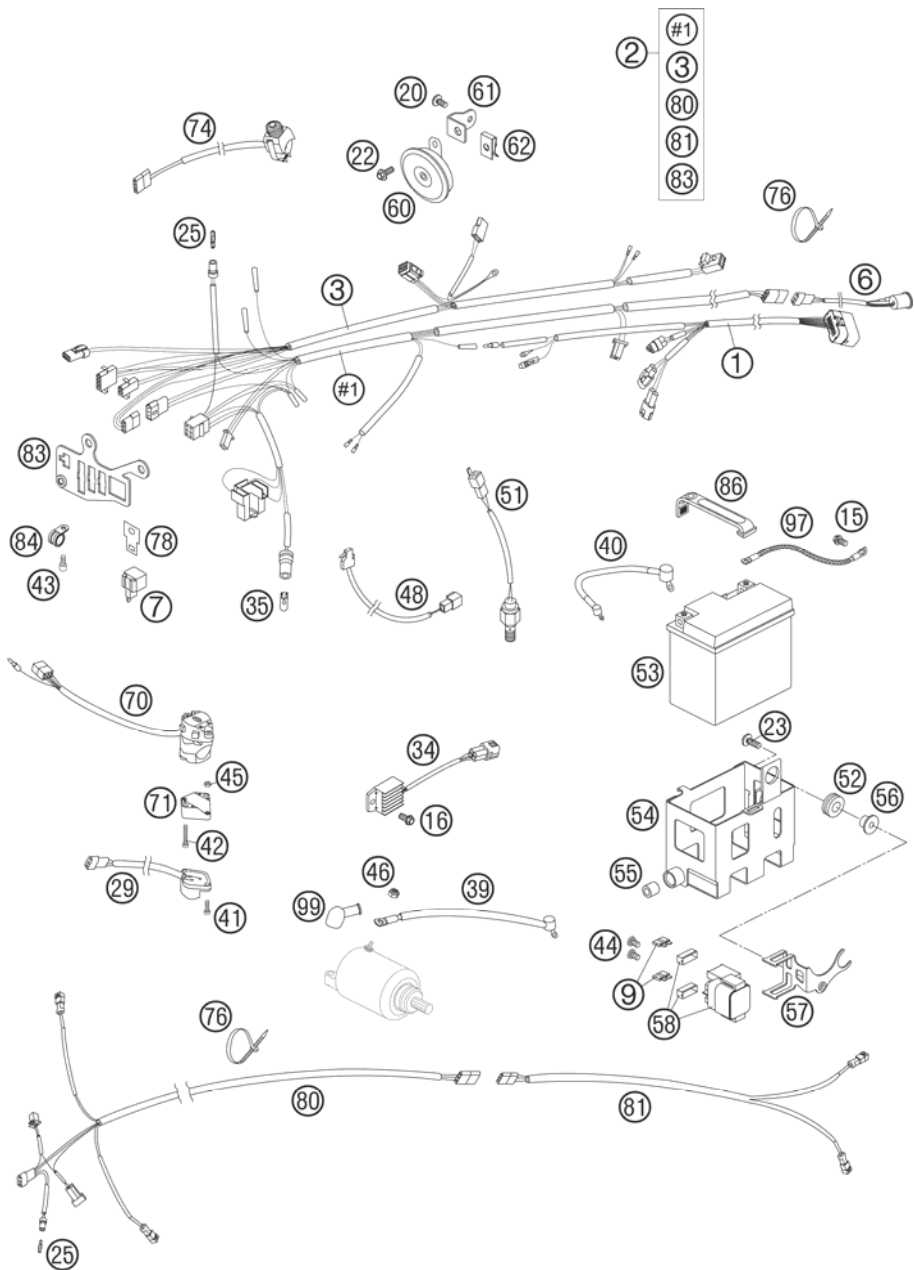


FIG	PART NUMBER	DESCRIPTION	QTY
60	50311060000	DC HORN 12V K80/L LEB	1
61	80011061000	BRACKET FOR HORN 04	1
62	54603048100	RANGE CHANGE METAL NUT M6	1
70	50311070000	H.LIGHT SWITCH CEV 2/4TAKT '98	1
71	13011070060	ADAPTER FOR FLASHER SWITCH '98	1
74	59411074000	STARTER CONTROL 04	1
76	44011076200	CABLE TIE 200/3,6MM BLACK	x
76	44011076305	CABLE TIE 300/4,8MM BLACK	x
78	58211031100	BRACKET FOR FLASHER RELAY	1
80	59011080100	FLASH. WIRINGHARNESS FRONT 06	1
81	80011081000	FLASH. WIRING HARNESS	1
83	54811083100	SUPPORT BRACKET EXC 2005	1
84	57013070100	PVC-CLAMP 7,9 MM HEYCO 3355	1
86	54611186000	RUBBER BAND	1
97	80011097000	GROUND CABLE 04	1
99	58440099000	PROTECTION CAP F. STARTER ENG.	1

078001105 / C078001105

* NEW PART

X AS REQUIRED

HAND BRAKE CYLINDER

FE 650e/6 EU 2007

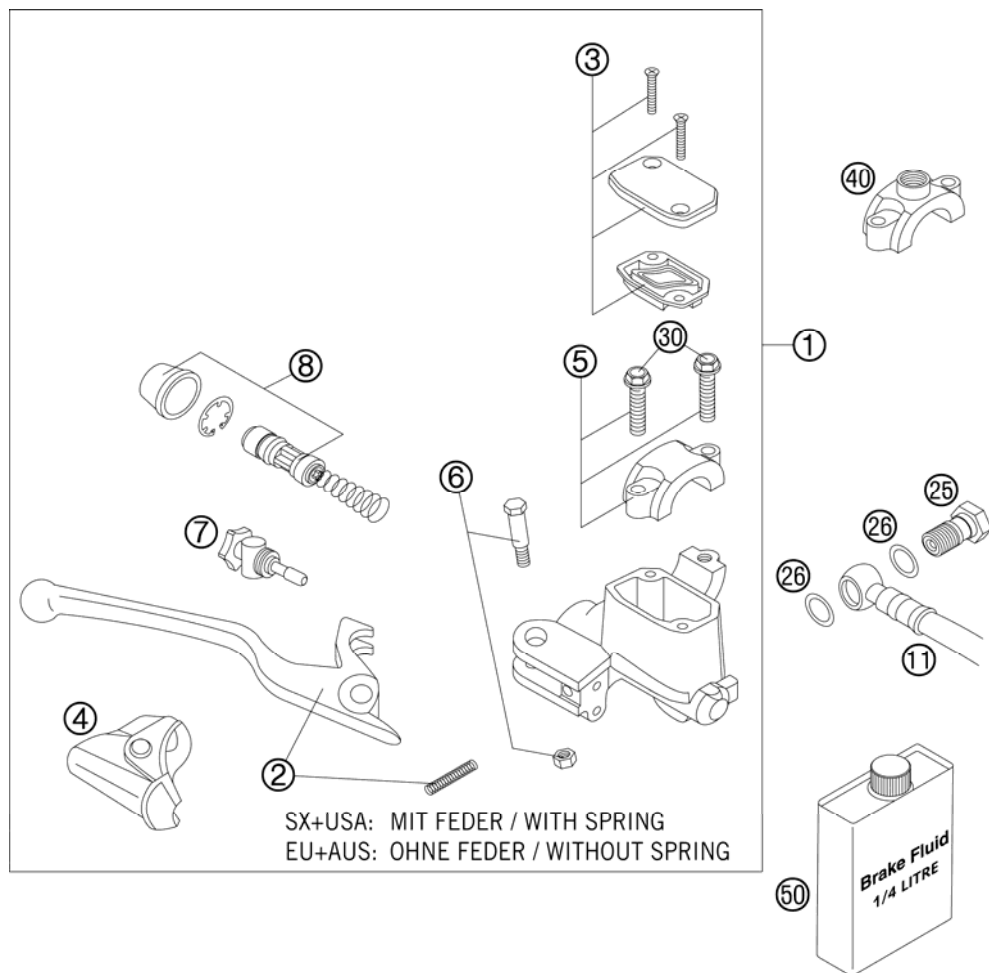


FIG	PART NUMBER	DESCRIPTION	QTY
1	54813001300	HAND BRAKE CYLINDER CPL.EXC 06	1
2	54813002000	HAND BRAKE LEVER + SPRING 2005	1
3	50313003000	HANDBRAKE CYL.COVER CPL.NATURE	1
4	50313004000	PROTECTION CAP HAND BRAKE CYL.	1
5	50313005000	CLAMP CPL. NATURE	1
6	50313006100	LEVER SCREW CPL. 2001	1
7	50313007100	ADJUSTING SCREW CPL. EXC 2000	1
8	54813008200	REP.SET PISTON D=10MM 2006	1
11	59013011000	BRAKEHO. FRONT 1300MM 2000	1
25	50213025000	HOLLOW SCREW M10X1X19	1
26	42013226000	CU-SEAL RING DIN7603-10X16X1	2
30	0015060253	HH COLLAR SCREW M 6X25 WS=8	2
40	58012040150	CLAMP FOR MIRROW '94	1
50	306054	BRAKE FLUID DOT 4.0	1

06800130 / C078001305

* NEW PART

X AS REQUIRED

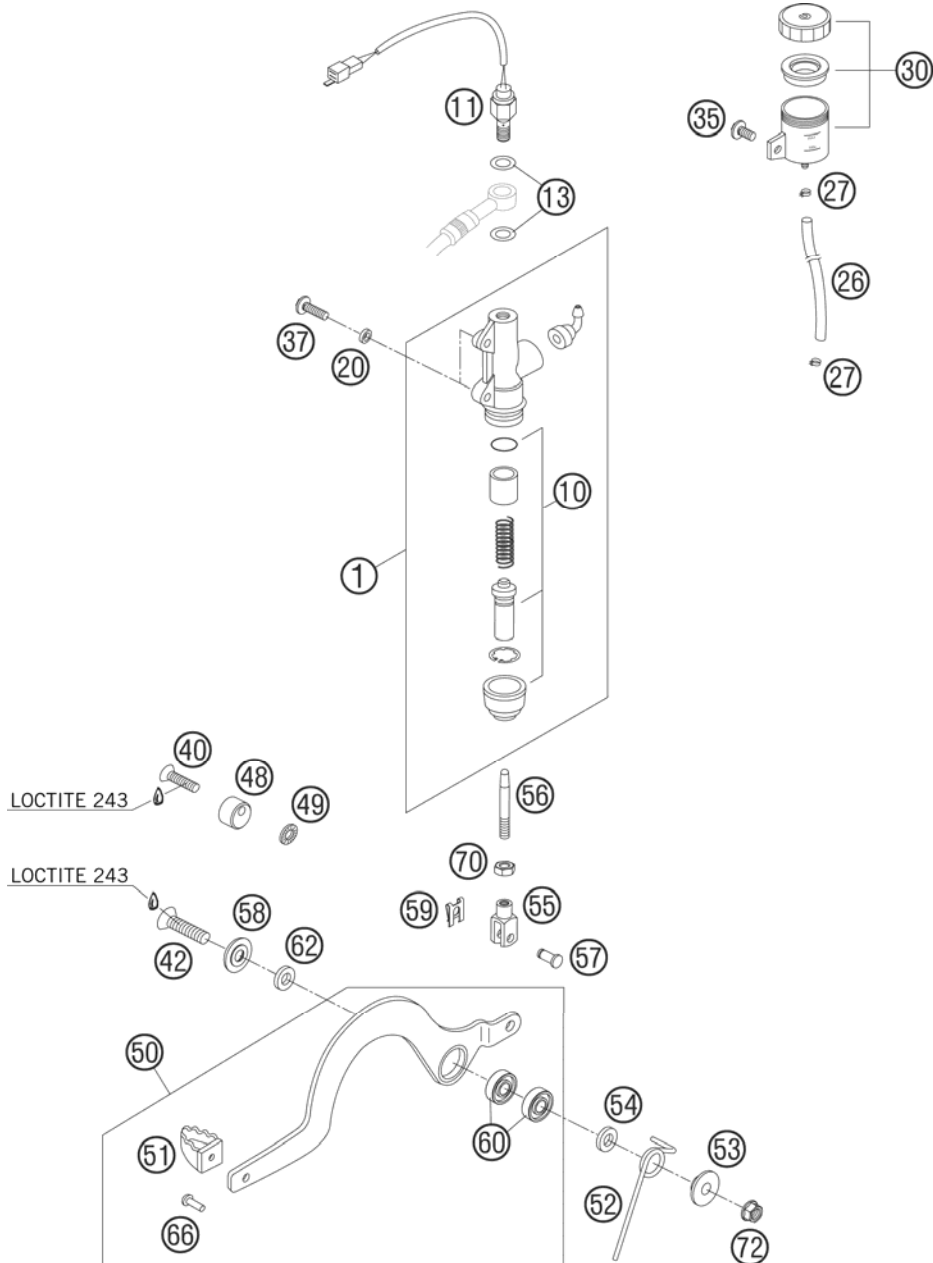


FIG	PART NUMBER	DESCRIPTION	QTY
1	50313060100	FOOTBRAKECYL. 13MM NATURE 2001	1
10	54513150000	REPAIR KIT PISTON 13MM	1
11	50311051100	BRAKE LIGHT SWITCH REAR '98	1
13	42013226000	CU-SEAL RING DIN7603-10X16X1	2
20	80004060050	BUSHING 6,2X10X2,5MM 04	2
26	58007016101	HOSE FOR RESERVOIR 6X1,5	x
27	58007017000	YDNAC CLAMP 10101 (9MM)	2
30	54513030044	BRAKE FLUID RESERVOIR '89	1
35	0014060103	HH COLLAR SCREW M 6X10 WS=8	1
37	0014060203	HH COLLAR SCREW M 6X20 WS=8	2
40	0991060253	FLAT HEAD SCREW DIN7991-M 6X25	1
42	0991080453	FLAT HEAD SCREW DIN7991-M 8X45	1
48	80013048000	ECCENTRIC BRAKE LEVER STOP 04	1
49	0797060003	TOOTH LOCK WASH. DIN6797-A 6,4	1
50	80013050044	REAR BRAKE LEVER CPL. 04	1
51	80013051000	BRAKE LEVER PEDAL 04	1
52	80013052000	RETAIN.SPRING REAR BR.LEVER 04	1
53	80013053100	COLLAR. BUSH.8,2X13X24X5,5 05	1
54	80013054100	DISTANCE SPACER 8,2X16X3 MM 05	1
55	80013055000	FORK PART REAR BRAKE CONTR. 04	1
56	80013056000	PRESSURE ROD REAR BRAKE CON.04	1
57	80013057000	MOUNTING BOLT 04	1
58	80013058000	SPECIAL WASHER 04	1
59	80013059000	SL-CIRCLIP 6 MBO 08	1
60	0625006087	GROOVED BALL BEAR. 608 2RS C3	2
62	0137080003	SPRING WASHER DIN137 B8	1
66	0660050167	RIVET DIN0660- 5,0X16	1
70	0934060003	HEXAGON NUT DIN0934-M 6	1
72	54310086200	SELF LOCKING NUT M8 10.9	1

078001310 / C078001310

* NEW PART

X AS REQUIRED

BRAKE CALIPER FRONT

FE 650e/6 EU 2007

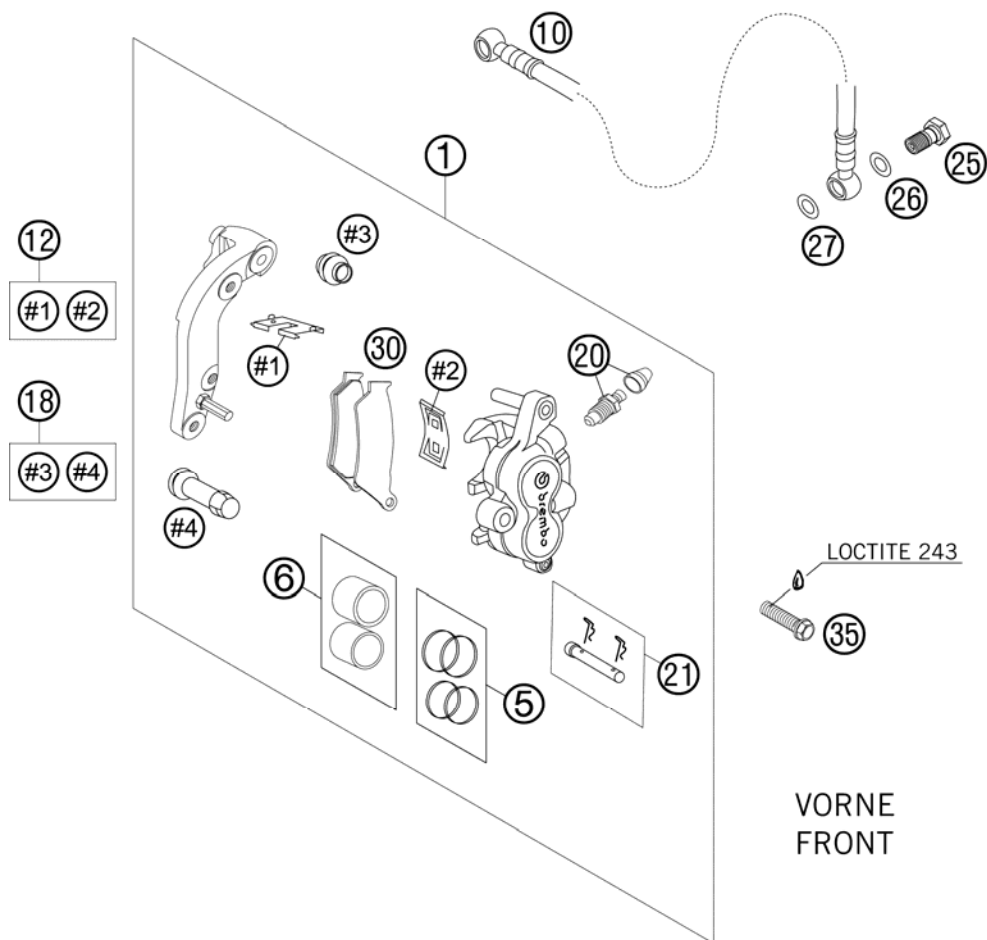


FIG	PART NUMBER	DESCRIPTION	QTY
1	59013015144	BRAKECALIPER FRONT BREMBO 2000	1
5	54613205000	REPAIR KIT 28MM	1
6	54613206000	REPAIR KIT PISTON 28MM	1
10	59013011000	BRAKEHO. FRONT 1300MM 2000	1
12	54613212000	RETAINING PLATE SET BREMBO	1
18	54613218000	CUP SET SHORT	1
20	60013020000	BLEEDER SCREW WITH CAP	1
21	54613210100	BOLT CPL. 6X56	1
25	50213025000	HOLLOW SCREW M10X1X19	1
26	42013226000	CU-SEAL RING DIN7603-10X16X1	1
27	42013026000	CU-SEAL RING DIN7603-10X16X1,5	1
30	50313030000	BRAKE PAD SET FR. TOSHIBA H38	x
30	50313030100	BRAKEP.SET FR.TOSHIBATT2701HHB	1
30	54613209044	BRAKE PAD SET FR. FERODO ID450	x
30	59013030000	BRAKE PAT SET FR. SINTER 03	x
35	0015080353	HH COLLAR SCREW M 8X35 WS=10	2

05800133 / C078001320

* NEW PART

X AS REQUIRED

BRAKE CALIPER REAR

FE 650e/6 EU 2007

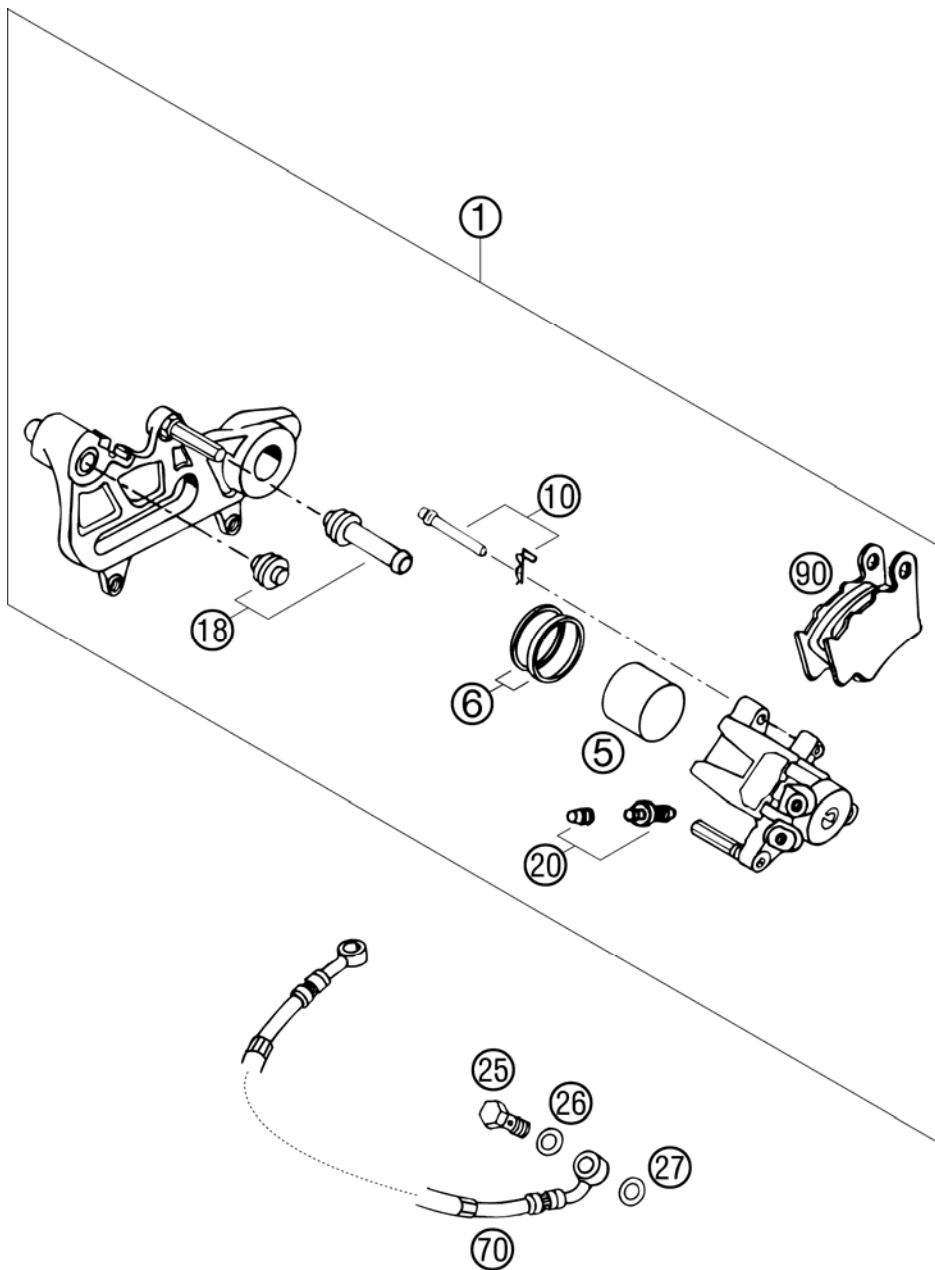


FIG	PART NUMBER	DESCRIPTION	QTY
1	50213301644	BRAKE CALIPER CPL. REAR L/S	1
5	54613305200	BRAKE PISTON 34MM	1
6	54613318200	REPAIR KIT SEALING RINGS 34MM	1
10	54613310200	BOLT SET	1
18	54613218000	CUP SET SHORT	1
20	60013020000	BLEEDER SCREW WITH CAP	1
25	50213025000	HOLLOW SCREW M10X1X19	1
26	42013226000	CU-SEAL RING DIN7603-10X16X1	1
27	42013026000	CU-SEAL RING DIN7603-10X16X1,5	1
70	80013070000	BRAKE HOSE REAR 695MM 04	1
90	50313090000	BRAKE PAD REAR TOSHIBA TTH38GF	x
90	54613309200	BRAKE PAD SET REAR ID450	1
90	59013090000	BRAKE PAD SET REAR SINTER 03	x

04800135 / C078001330

* NEW PART

X AS REQUIRED

LIGHTING SYSTEM

FE 650e/6 EU 2007

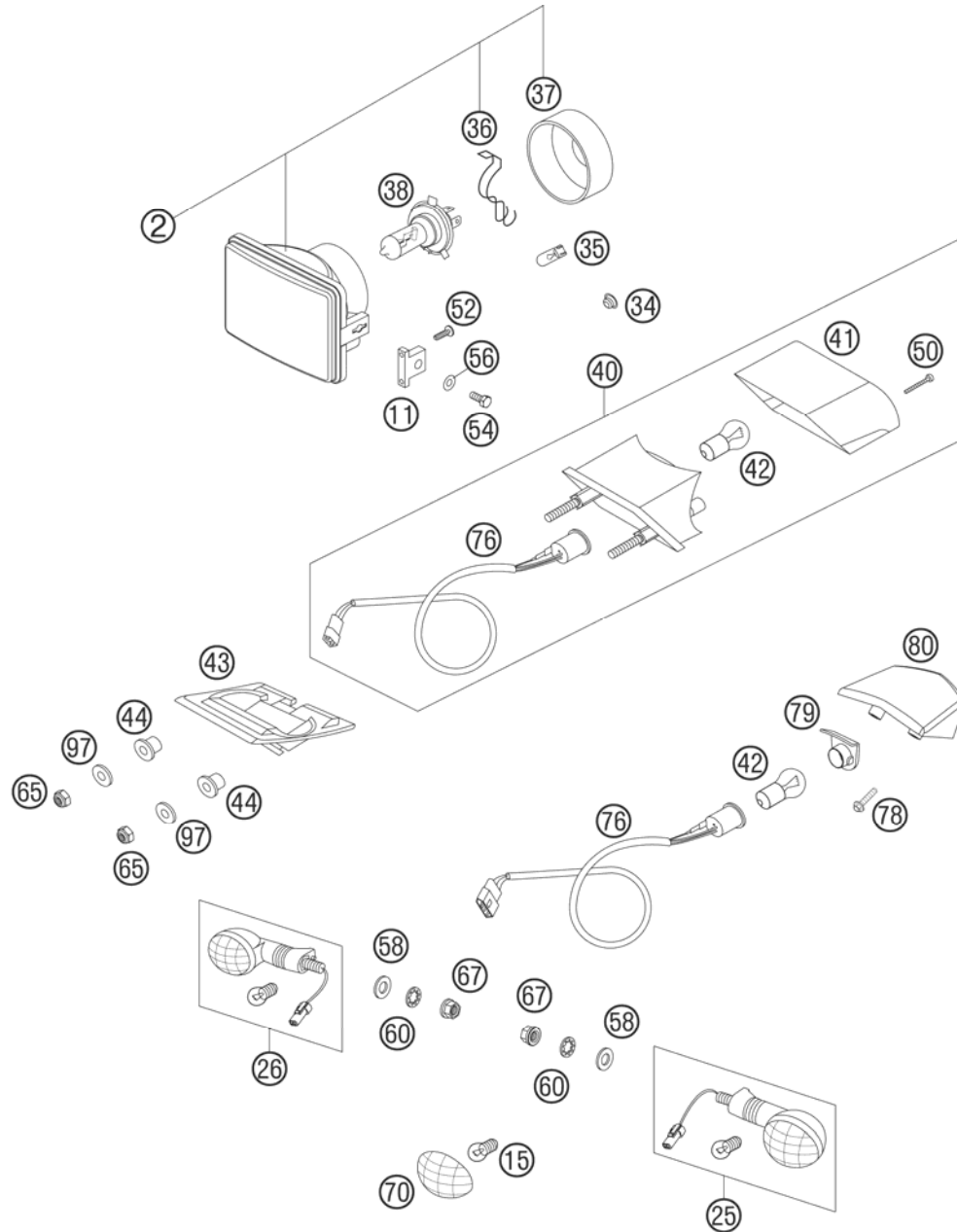
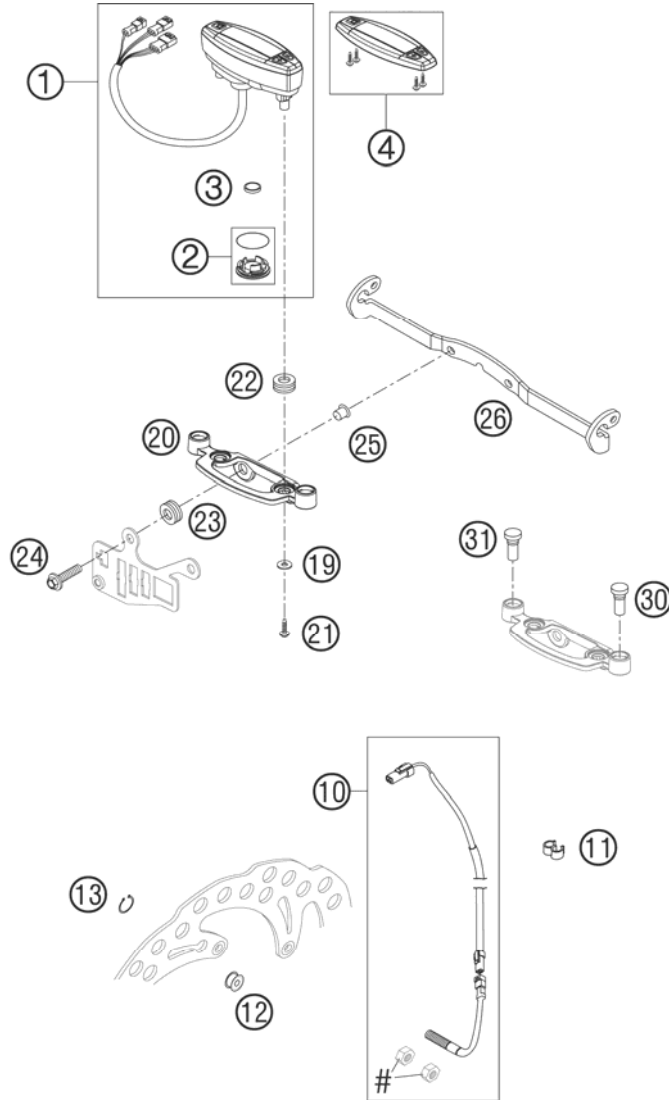


FIG	PART NUMBER	DESCRIPTION	QTY
2	59014002000	HEAD LIGHT 186(RI)"1003202 R"	1
11	58414010100	HEAD LIGHT SUPPORT 2001	2
15	44111015100	BULB 12V 10W (BA15S)	4
25	54814025100	FLASHER CPL.FRONT L/S REAR R/S	2
26	54814026100	FLAHER CPL. FRONT R/S REAR L/S	2
34	50210086000	COVERING CAP SFL16	1
35	49011435100	BULB 12V 5W (W2,1X9,5D) PHIL.	1
36	49011436100	BULB HOLDER	1
37	50211537000	RUBBER CAP	1
38	54611038012	BULB HS1 12V 35/35W WHITE	1
40*	50314040200	REAR LIGHT CPL. EXC 07	1
41	50314041100	REAR LIGHT LENS 125-380 EGS'98	1
42	58414042000	BULB 12V 21/5W (BAY15S)REINFO.	1
43	80014043000	RUBBER REAR LIGHT SUPPORT 04	1
44	80008052000	COLLAR BUSHING 6,2X10X15X2 04	2
50	0981350323	SHEET MET. SCR. DIN7981 3,5X32	2
52	0016040183	SCREW FOR PLASTIC D=4X18	4
54	0933060203	HH SCREW DIN0933-M 6X20	2
56	0125060003	WASHER DIN0125-A 6,4	2
58	0125100003	WASHER DIN0125-A10,5	4
60	0797100003	LOCK WASHER DIN6797-J10,5 ZI	4
65	0985060003	SELF LOCK. NUT DIN0985-M 6	2
67	58414030000	HH COLLAR NUT M10X1,25 WS=13	4
70	54814028000	FLASHER LENS L/S R/S 05	4
76	50311076000	WIRING HARNESS REAR 125-380'98	1
78	0017060203	EJOT PT SCREW K60X20 WS=6	2
79	54811076050	LAMP HOLDER 04	1
80	50314041200	REAR LIGHT LENS 04	1
97	51006097000	WASHER 6,2X22X1,ST30,W.GALV.	2

078001400 / C078001400

* NEW PART

X AS REQUIRED



ACHTUNG !!!
EINBAU OHNE MUTTERN!
CAUTION !!!
WITHOUT NUT FITTING!

FIG	PART NUMBER	DESCRIPTION	QTY
1	54814069000	SPEEDOMETER KM/H F. 21" 2005 REPROGRAMMABLE: KM/H - MPH	1
1	54814069200	SPEEDOMETER KM/H F. 17" 2005 REPROGRAMMABLE: KM/H - MPH	1
2	54814069010	BATTERY COVER F. SPEEDOM. 2005	1
3	58314068000	BATTERY F. SPEEDOM. M.A.E. 02	1
4	54814069020	SPEEDOMETER TOP PART 05	1
10	54814068100	CABLE FOR DIGITAL SPEEDOM. 06	1
11	55011022100	CLAMP D=6/8MM, BLACK	3
12	54814069050	MAGNET FOR DIGITAL SPEEDOM. 03	1
13	0471009104	CIRCLIP DIN0471- 9X1 INOX	1
19	0021050003	WASHER DIN9021-A 5,3	2
20	54814060000	SPEEDOMETER BRACKET 05	1
21	0016050121	SCREW FOR PLASTIC 50X12	2
22	58214069051	RUBBER GROMMET 16X10,8X3 02	2
23	31008060000	RUBBER SLEEVE D=8MM OPEN	2
24	0014060253	HH COLLAR SCREW M 6X25 WS=8	2
25	58314060050	SPACER BUSH. F. SPEEDOMET.BRA.	2
26	58314033100	FLASHER BRACKET 2002	1
30	58011021300	H.BEAM INDICATOR LIGHT BLUE'98	1
31	58011024300	FLASHER INDICAT.LIGHT GREEN'98	1

078001410 / C078001410

* NEW PART

X AS REQUIRED



FIG	PART NUMBER	DESCRIPTION	QTY
0	3802010	SERVICE MANUAL HUSABERG 07	1
0	3CF2503G3EN	SPM CHASSIS FE650e/6HUSABERG07	1
0	3CM090025GEN	SPM ENGINE FE 650-E HUSABERG07	1
0	80012026000	BACKPACK "HUSABERG" 04	1

078002000 / C078002006

* NEW PART

X AS REQUIRED



HUSABERG – a company of the KTM Group
A-5230 Mattighofen
www.husaberg.cc

KTM Group Partner



3CF2503G3EN



Art.Nr.: 3CF2503G3EN 7/2006